

09336734.064801

45

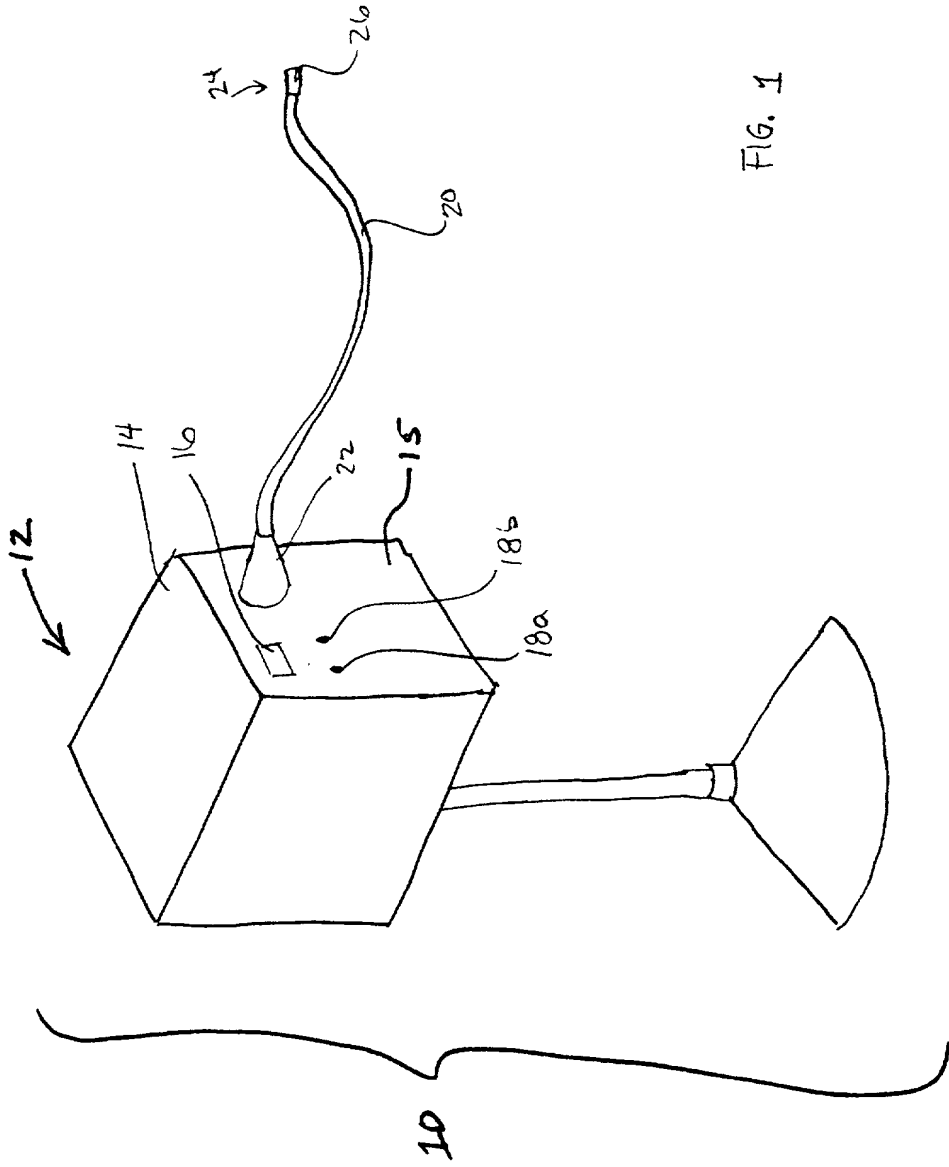


FIG. 1

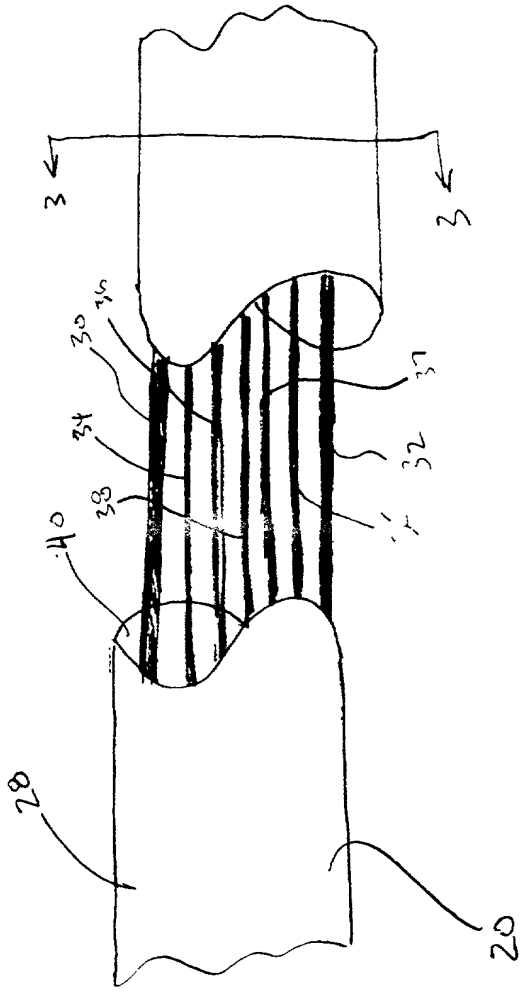


FIG. 2

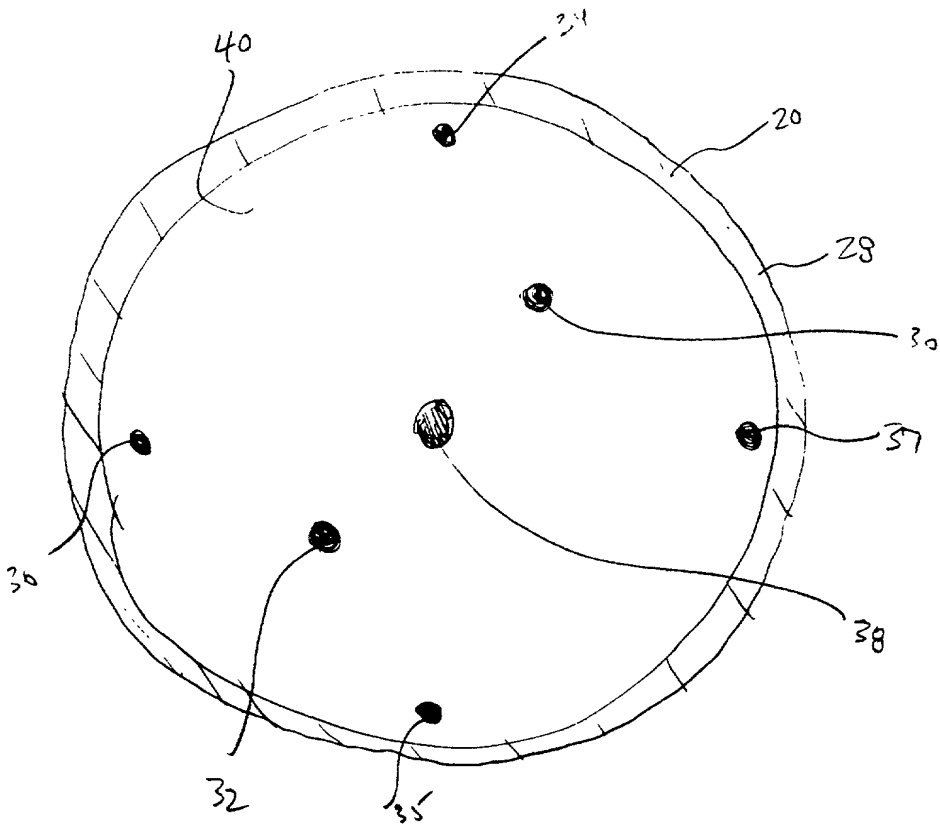


FIG. 3

09336731.061304

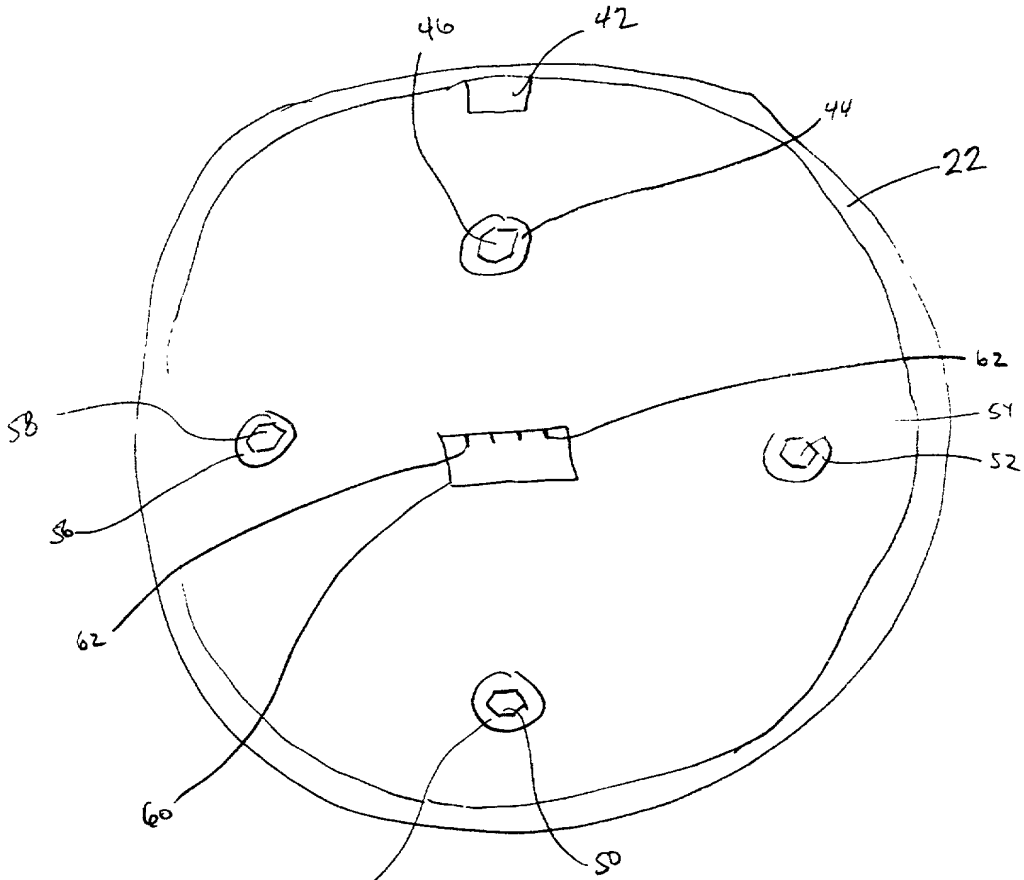


FIG. 4

09336781.004304

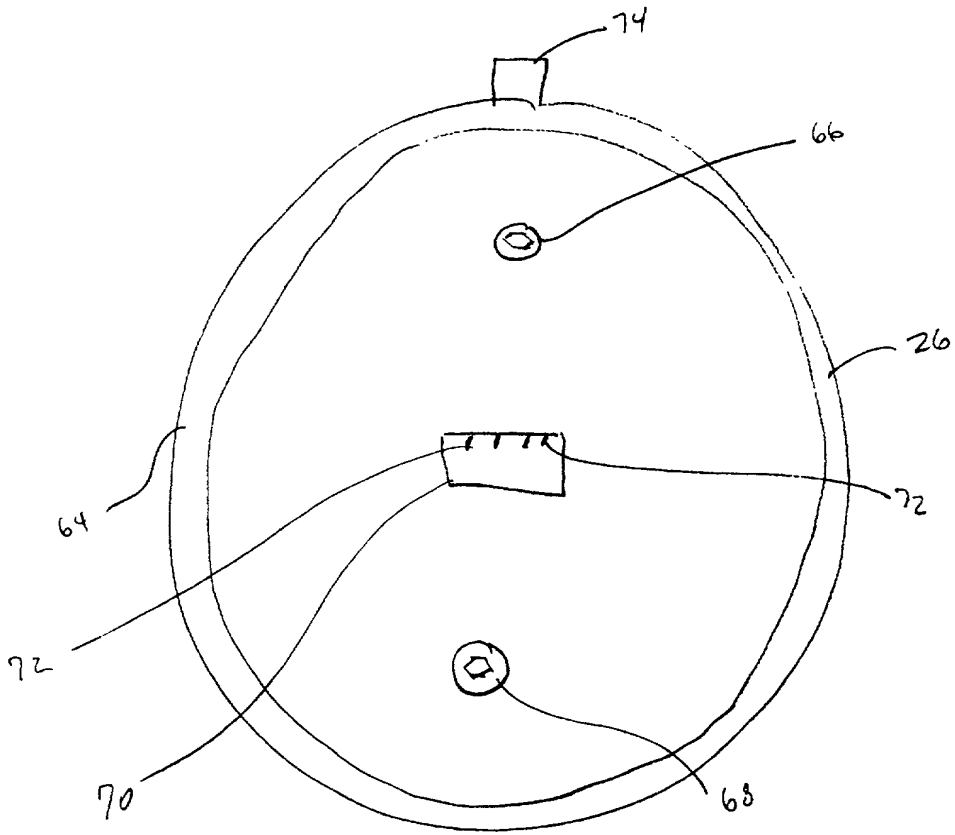


FIG. 5

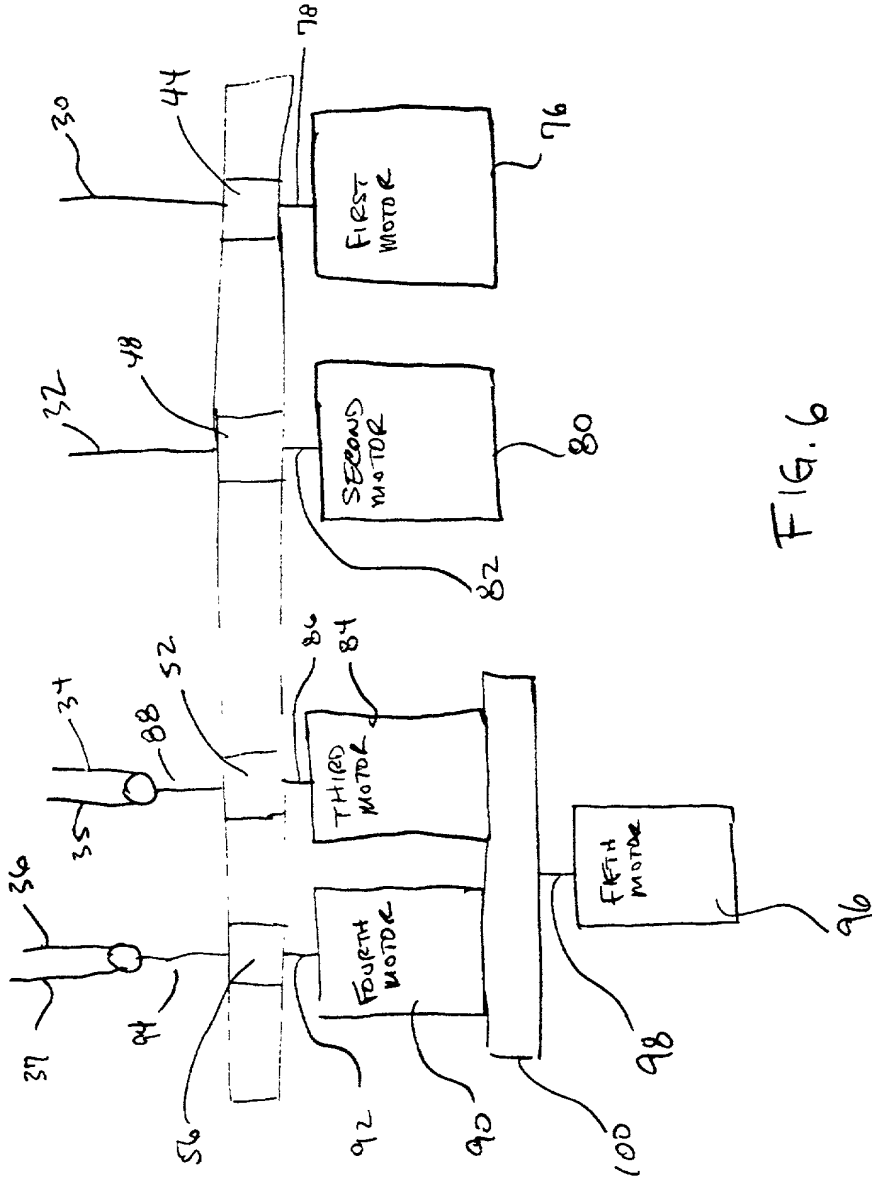


FIG. 6

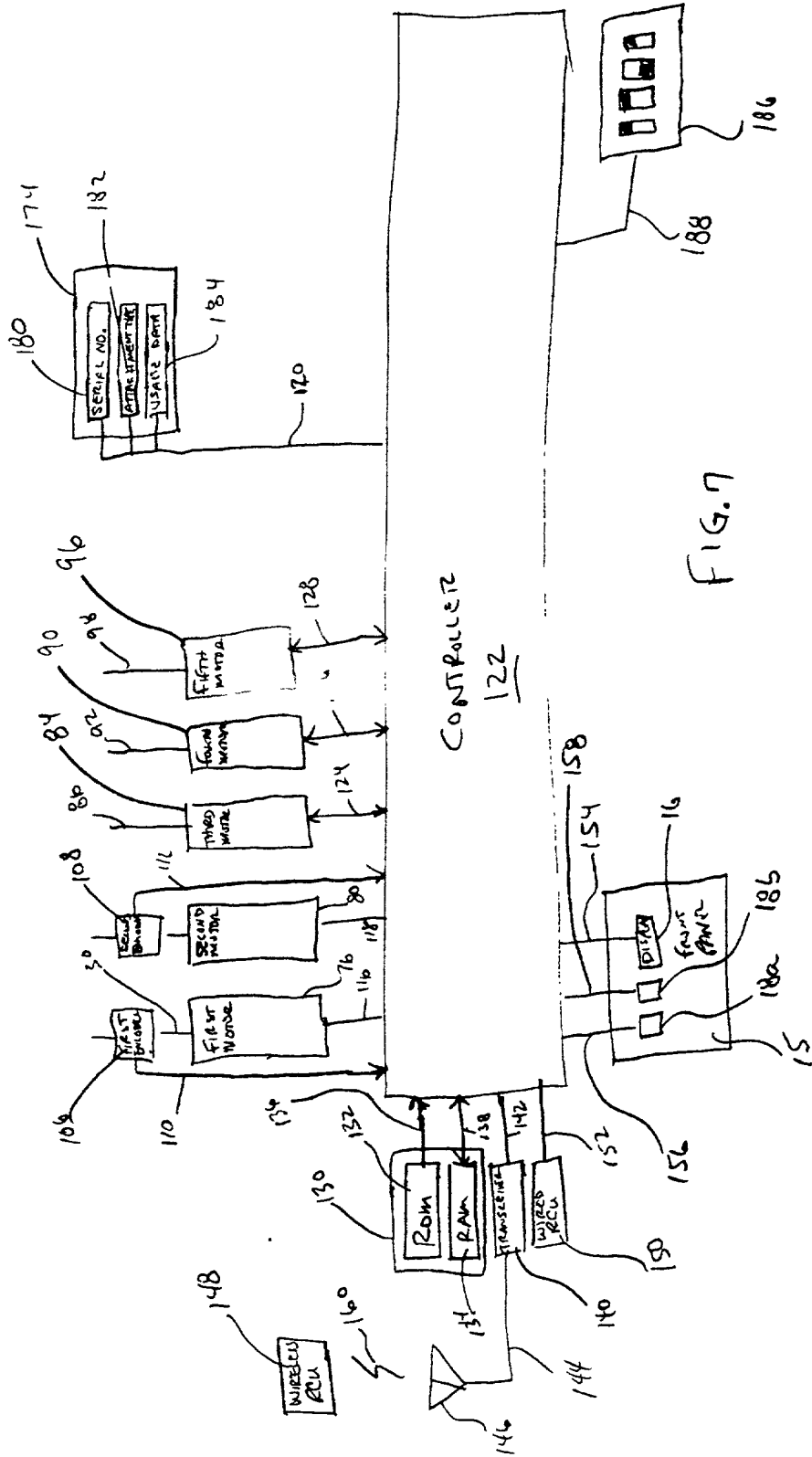


FIG. 7

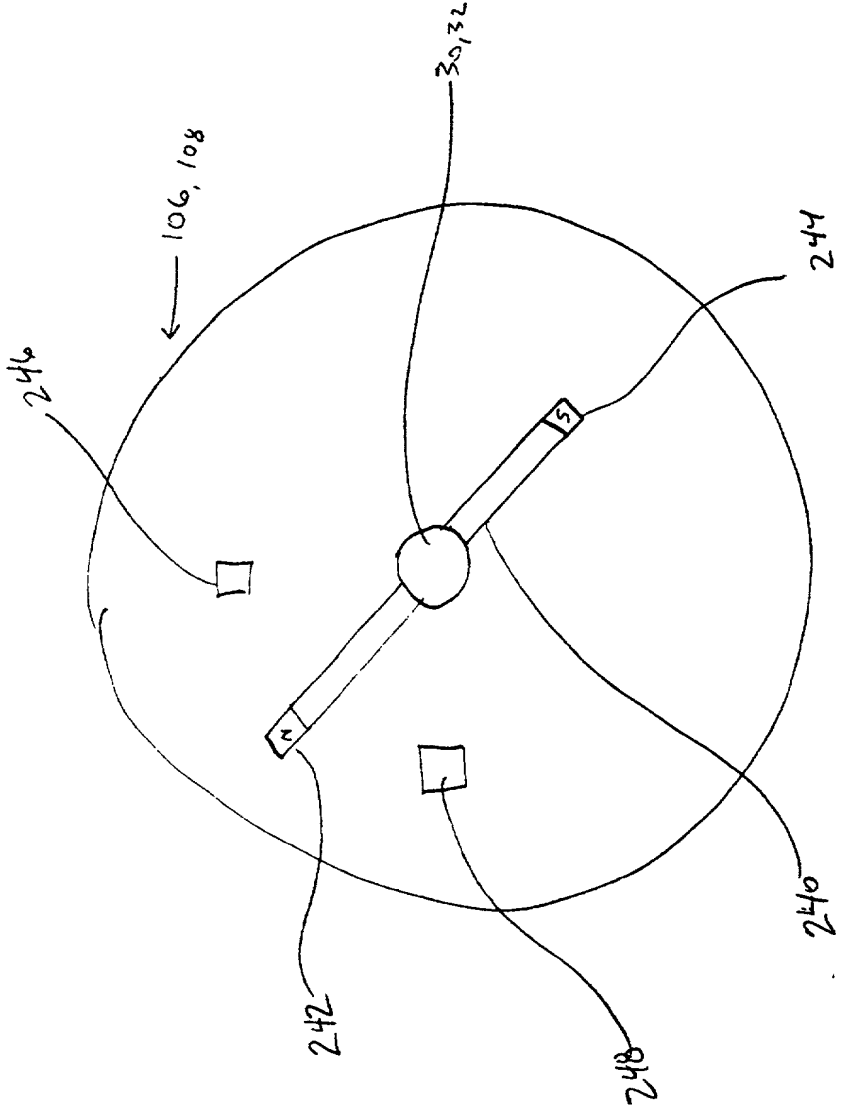


FIG. 8



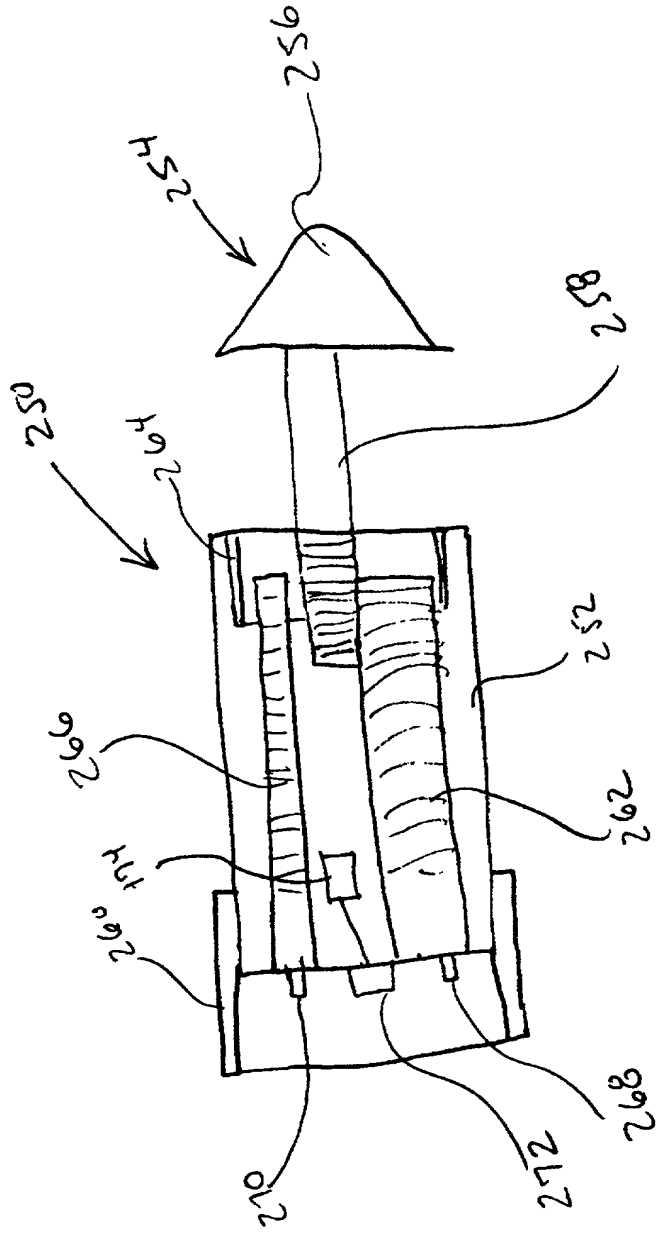


FIG. 9A

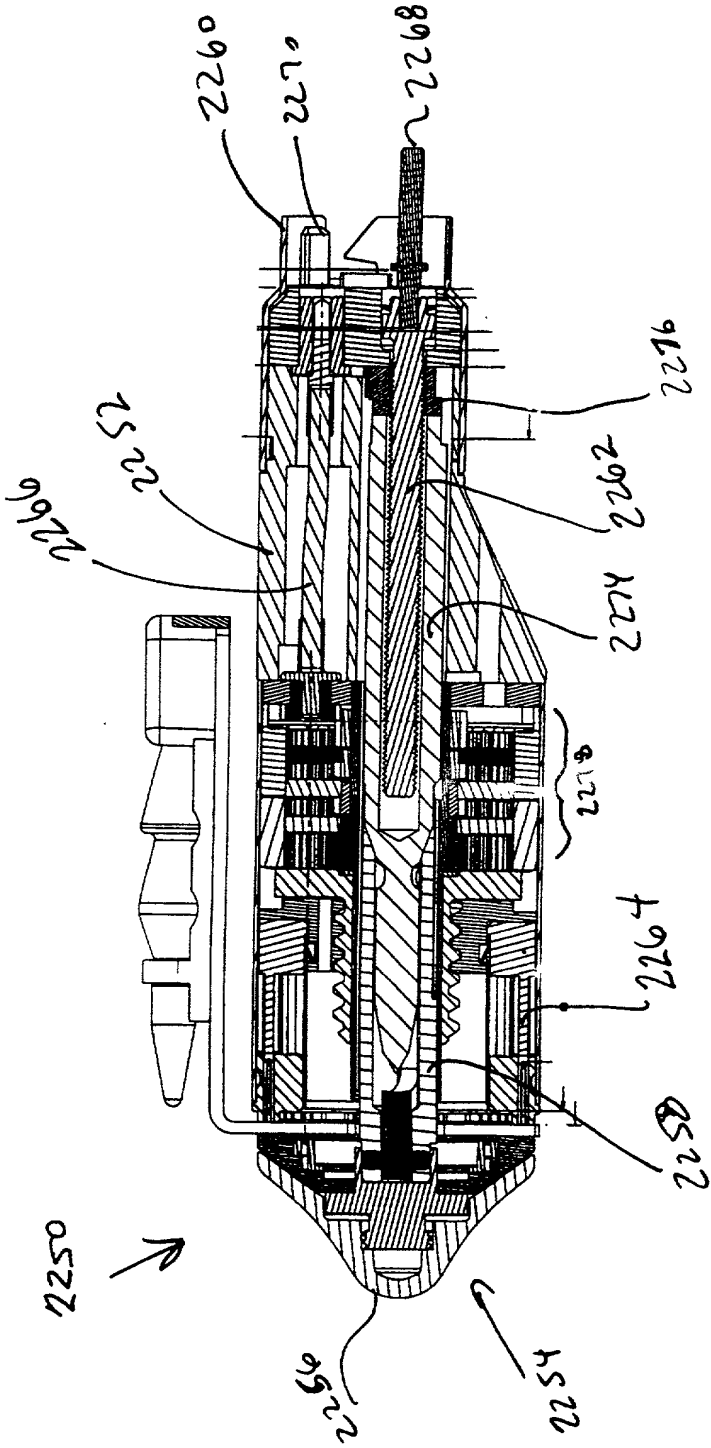


Figure 9B

09336784.064304

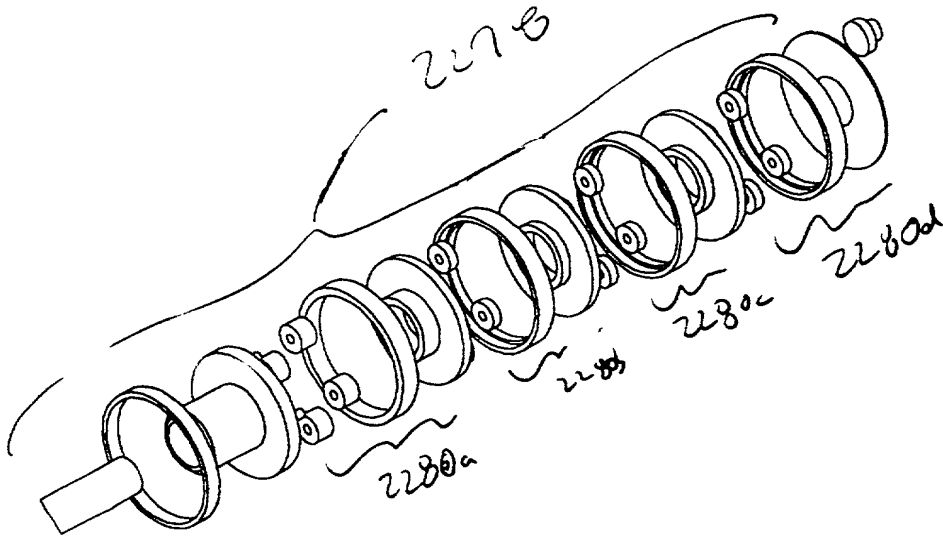


FIG. 9C

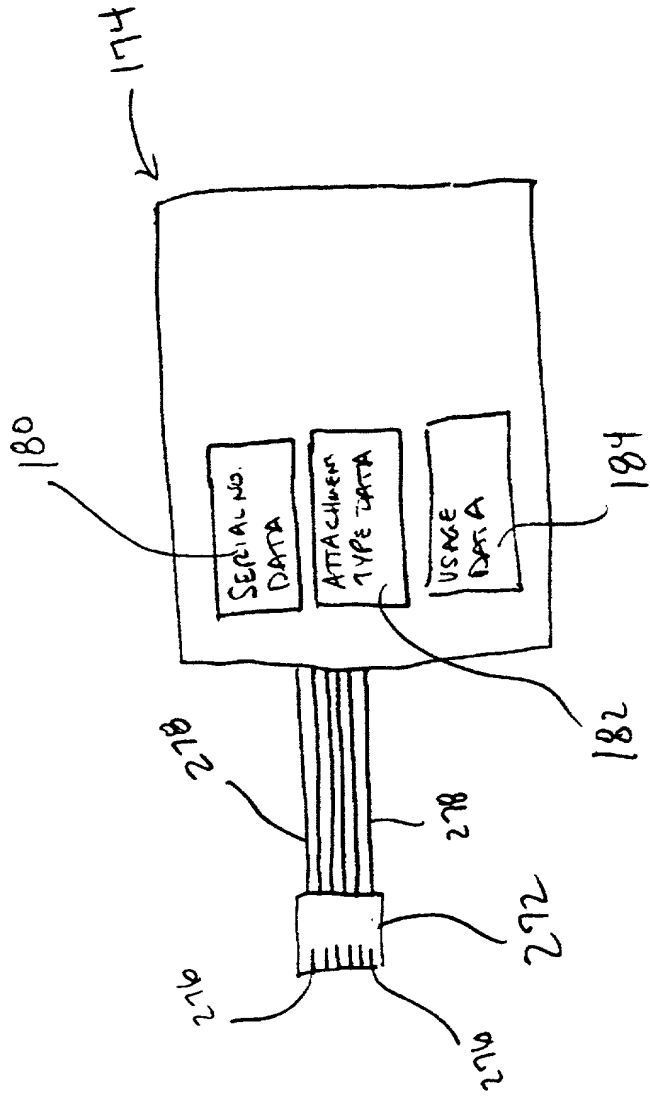
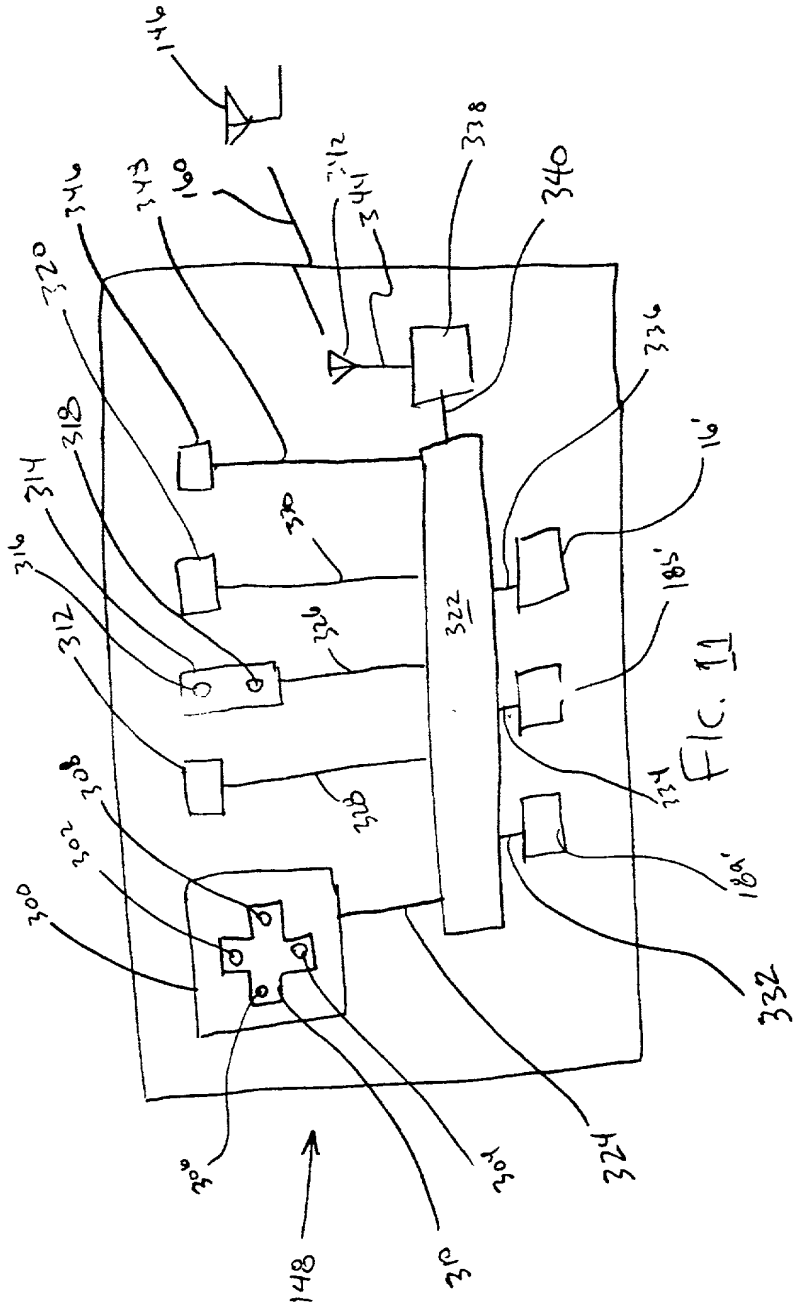


FIG. 10



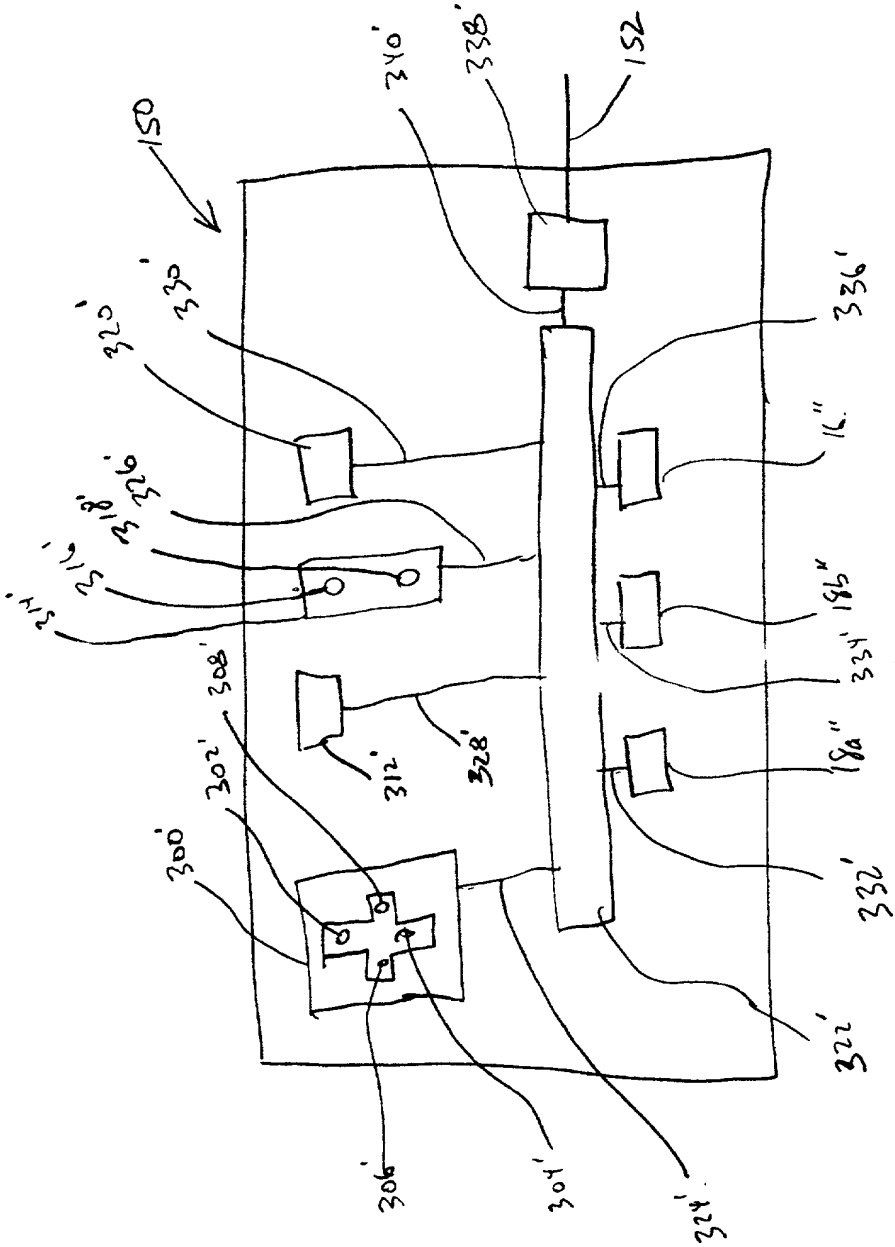


FIG. 12

SECRET

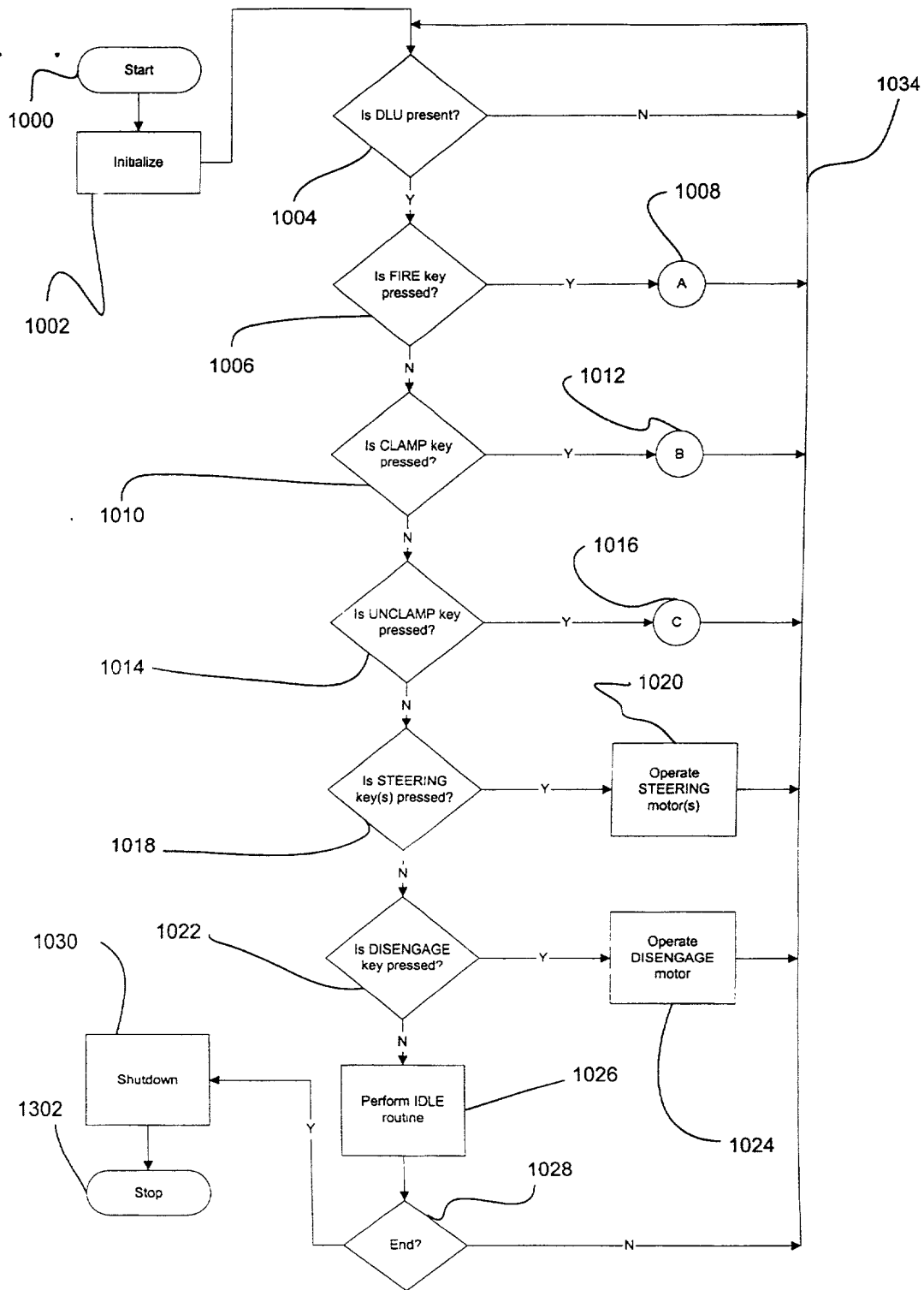


Figure 13

Downloaded from www.studocu.com

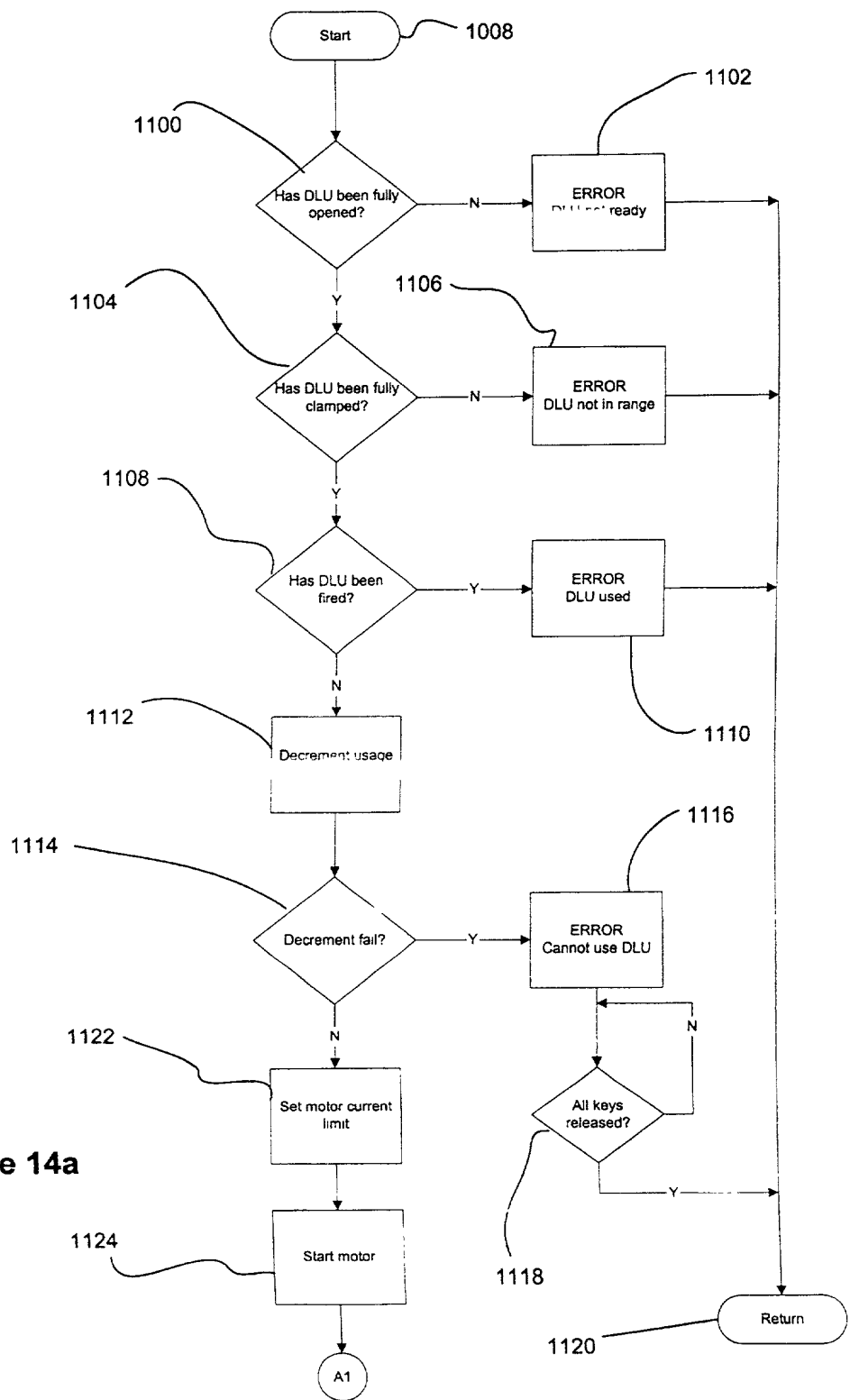


Figure 14a



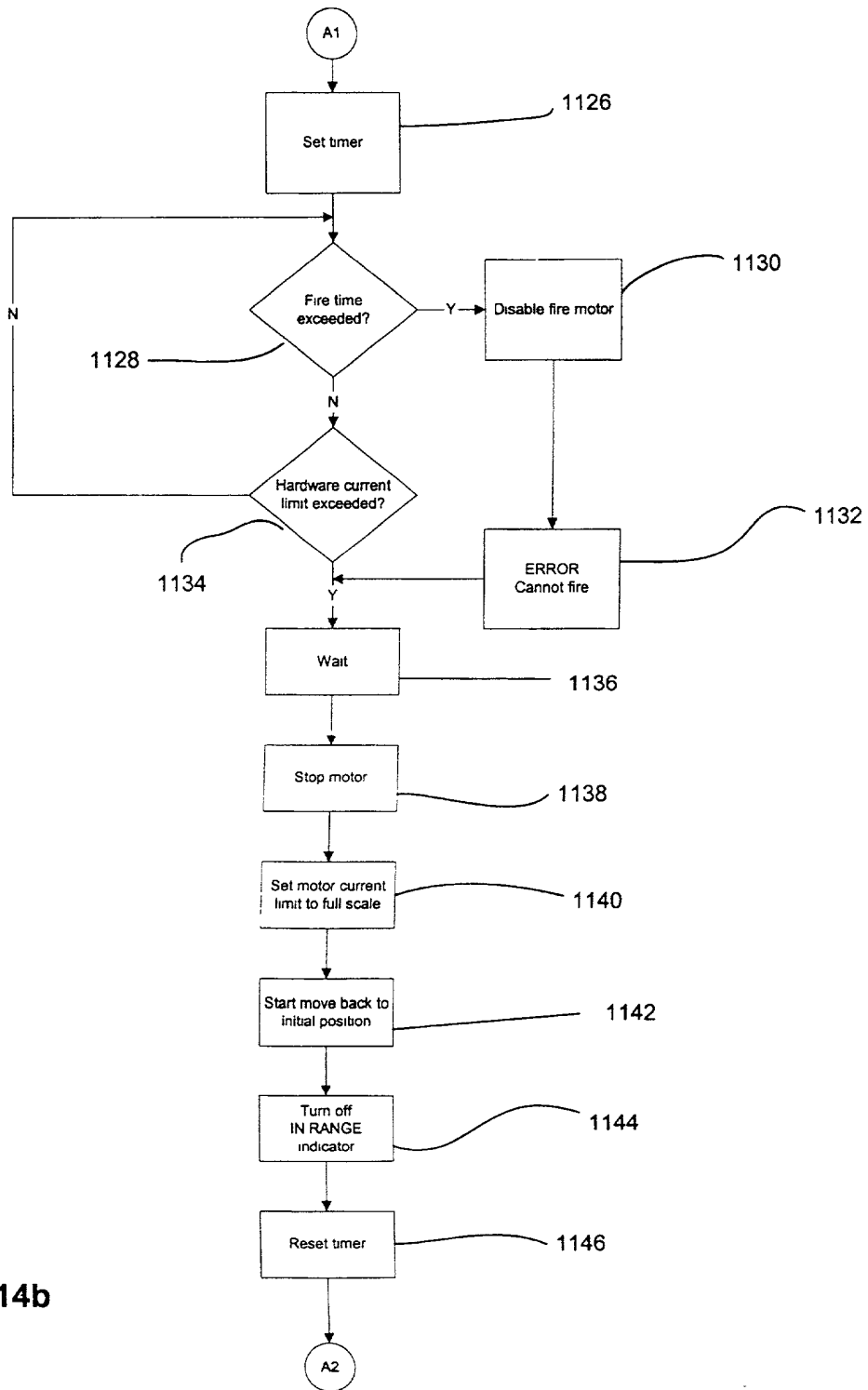


Figure 14b

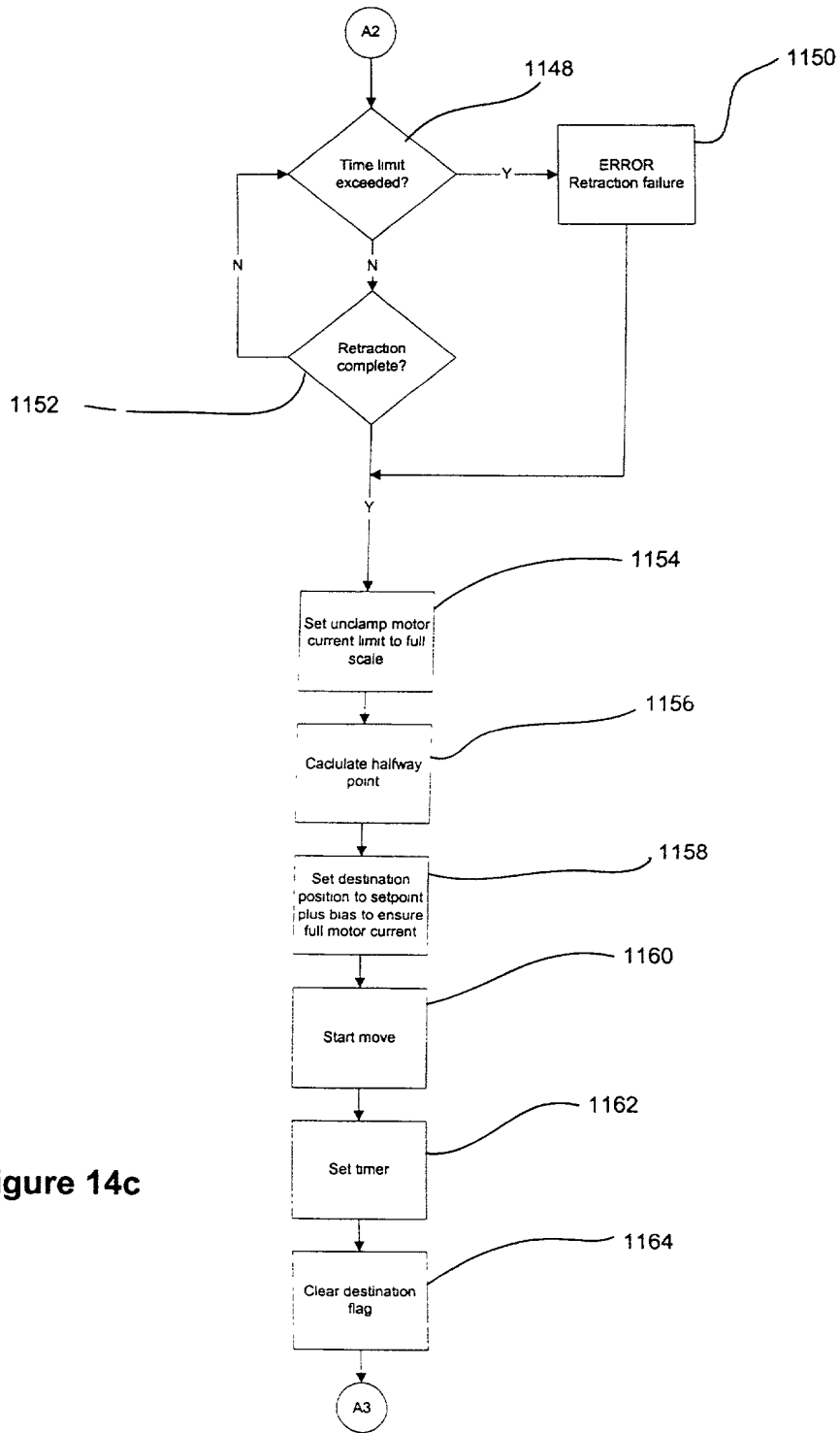


Figure 14c

FOR PUBLICATION

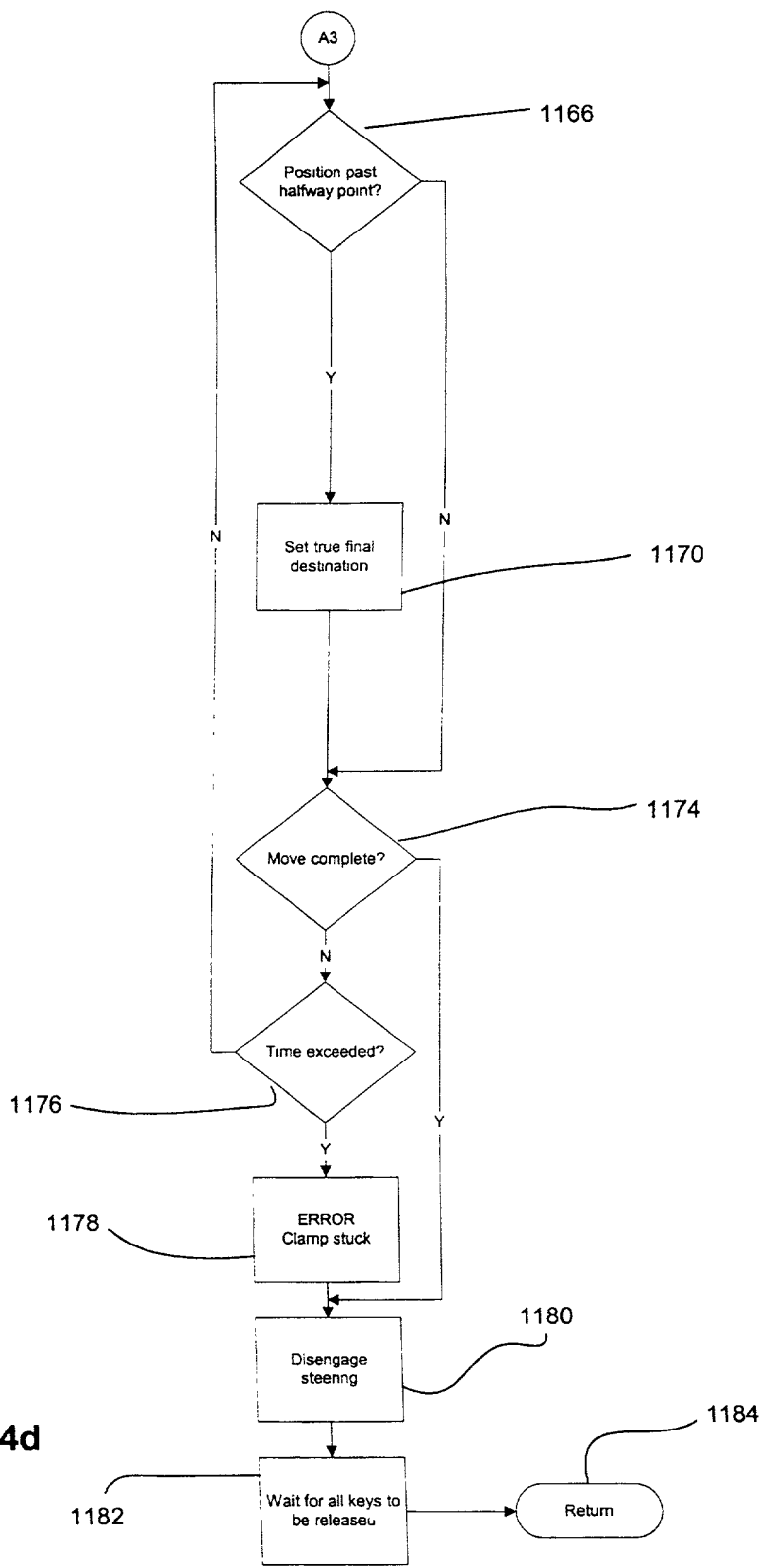


Figure 14d

US 2004/026330 A1

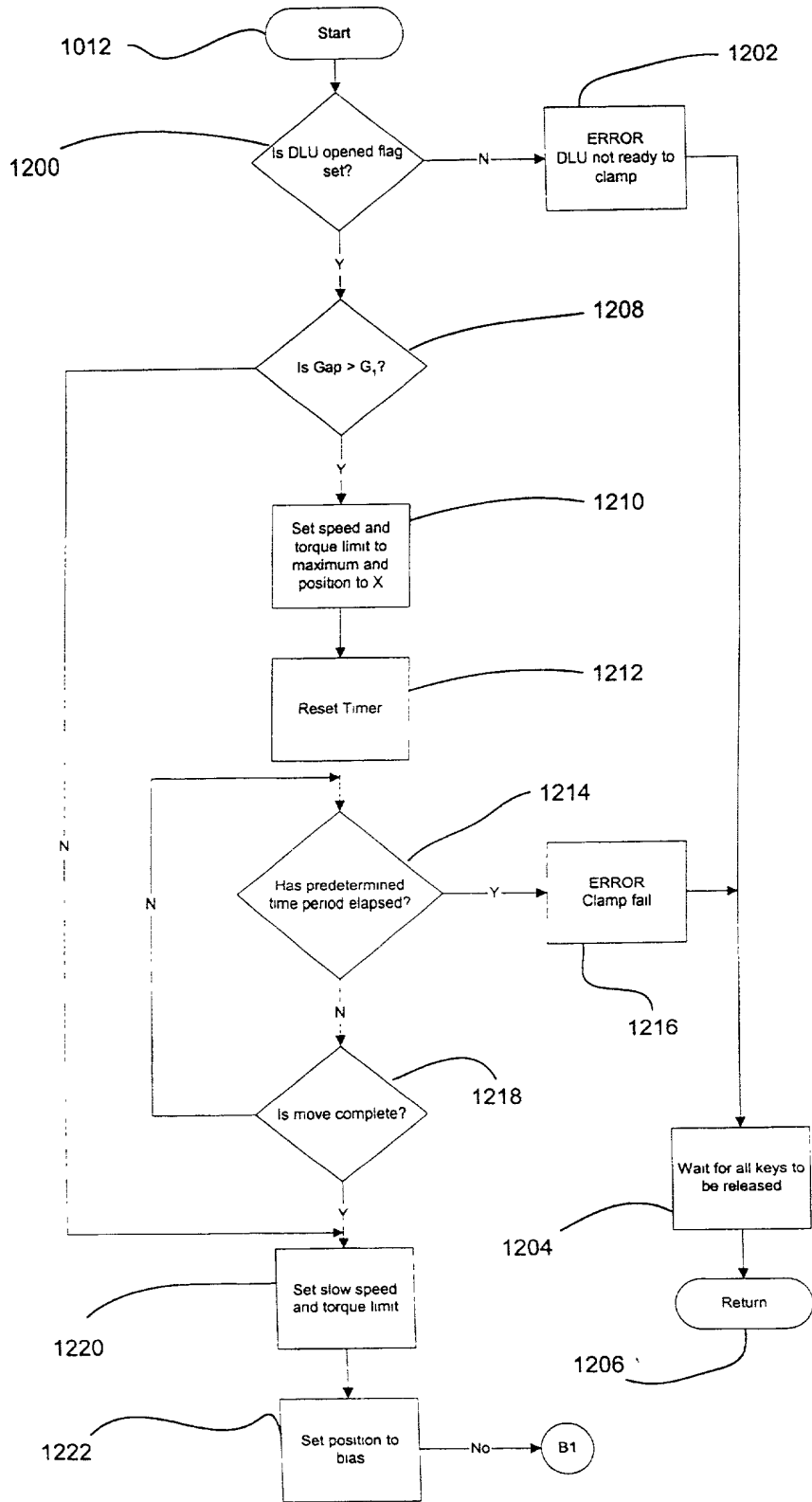


Figure 15a

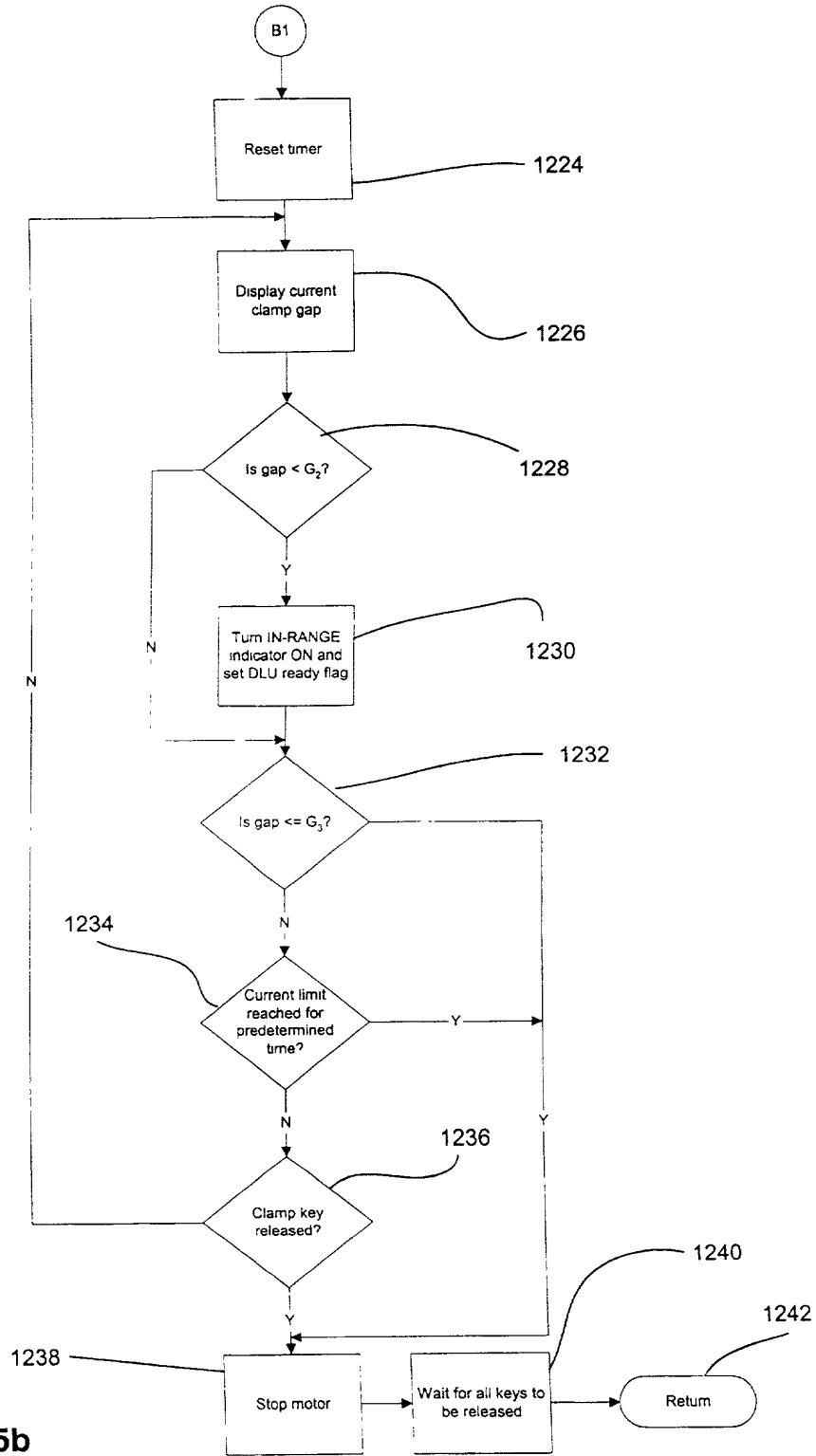
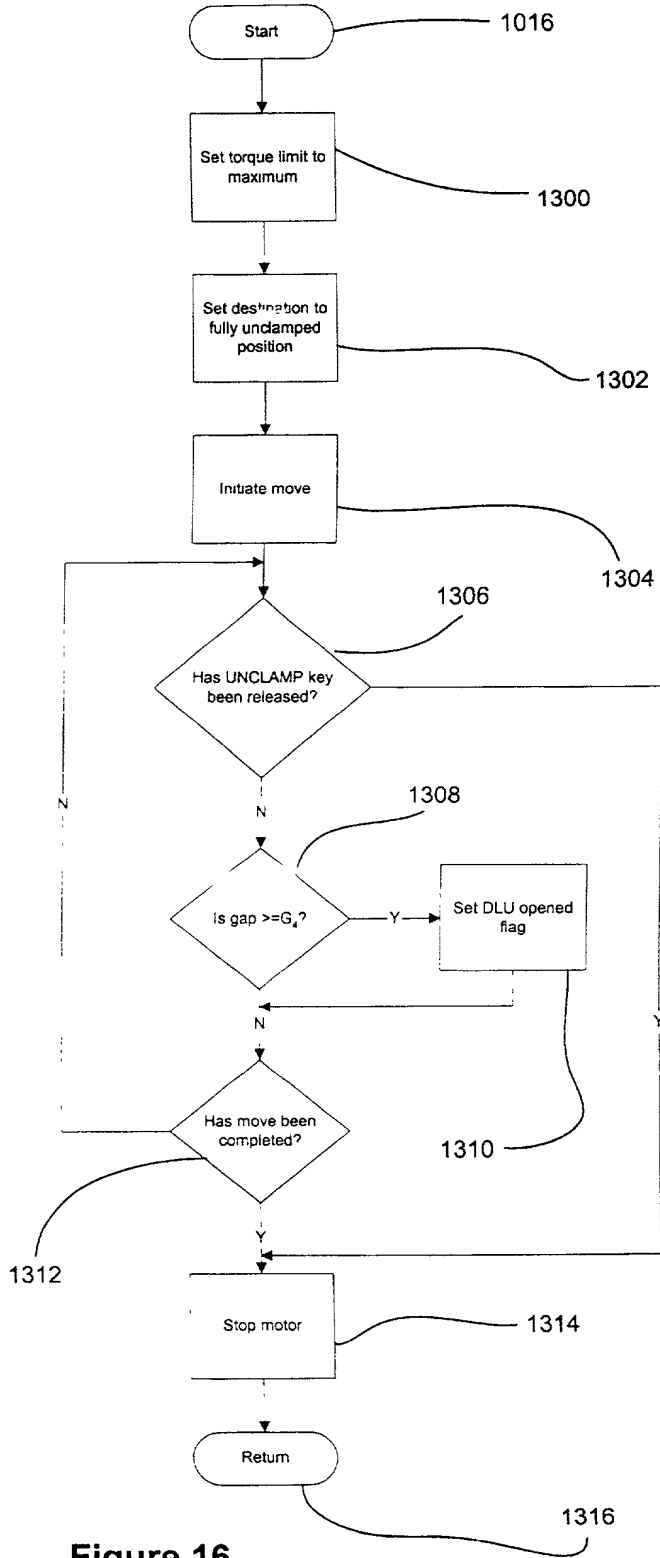


Figure 15b

Downloaded from



**Figure 16**

999999 999999 999999 999999

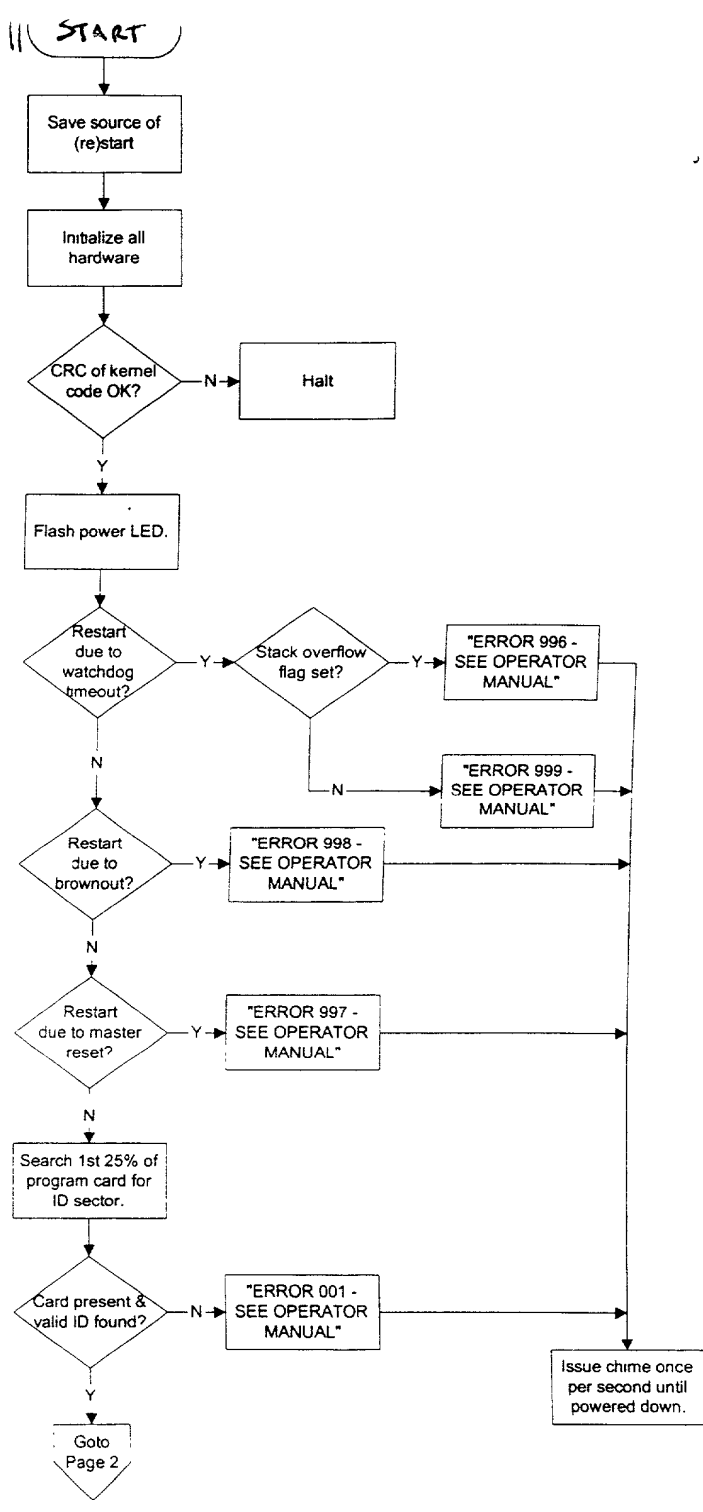


FIG. 17a

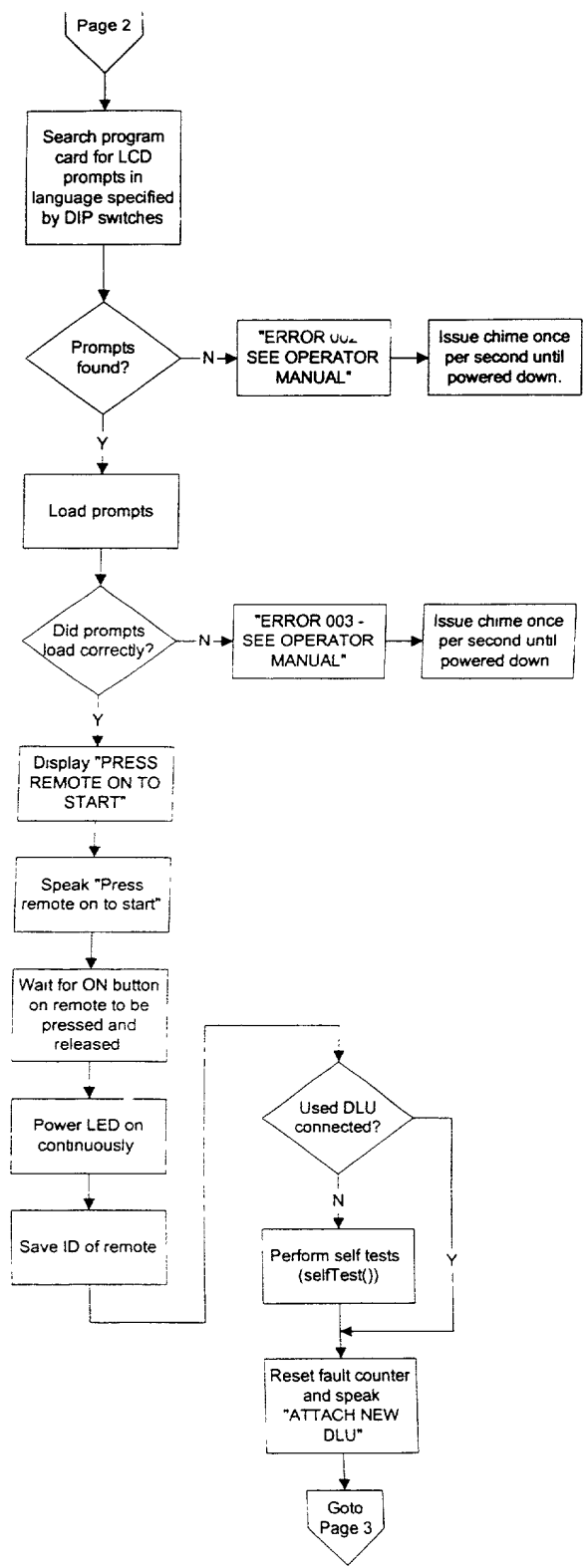


FIG. 17b



Main processing loop

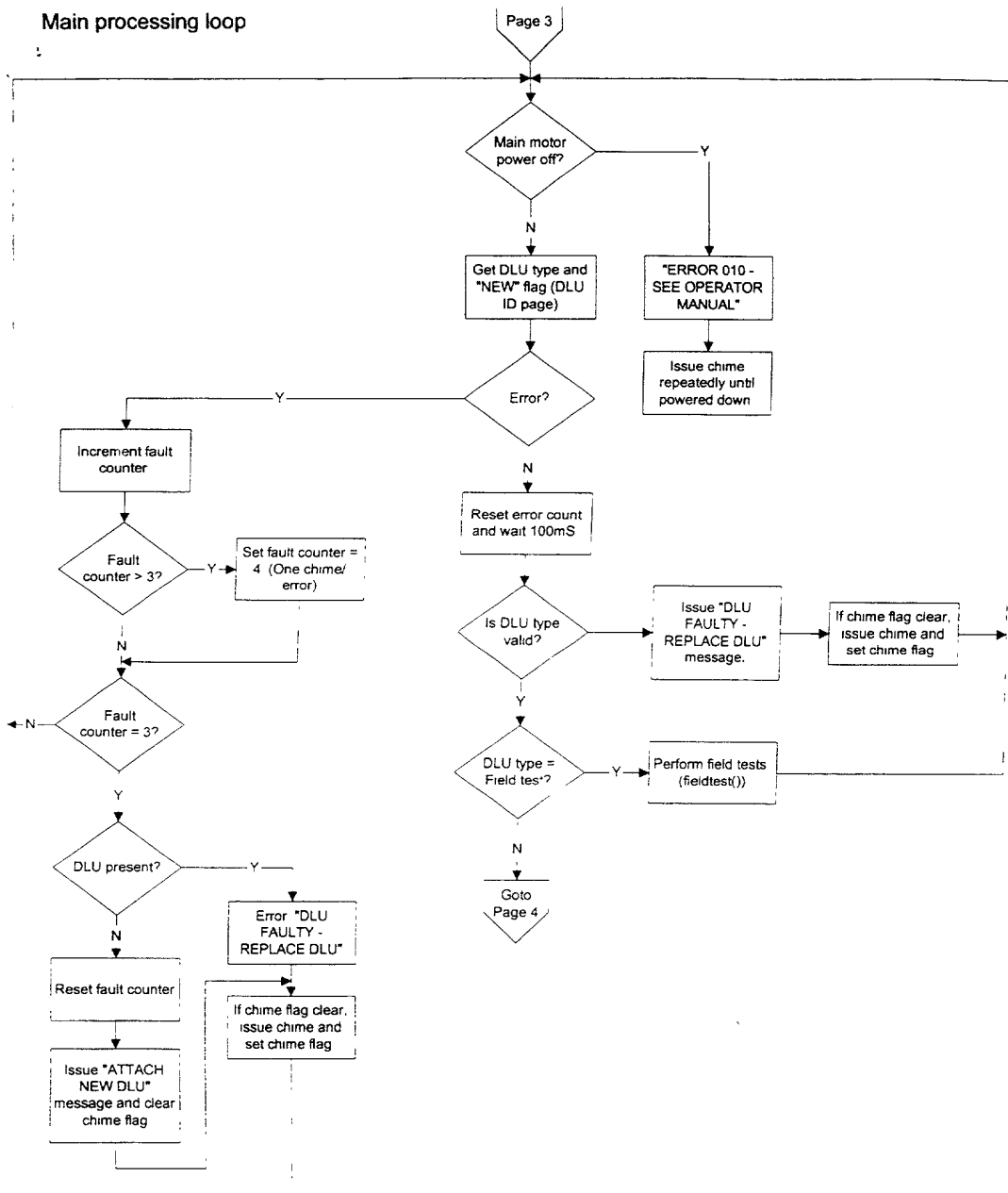


FIG. 17c



00000000000000000000

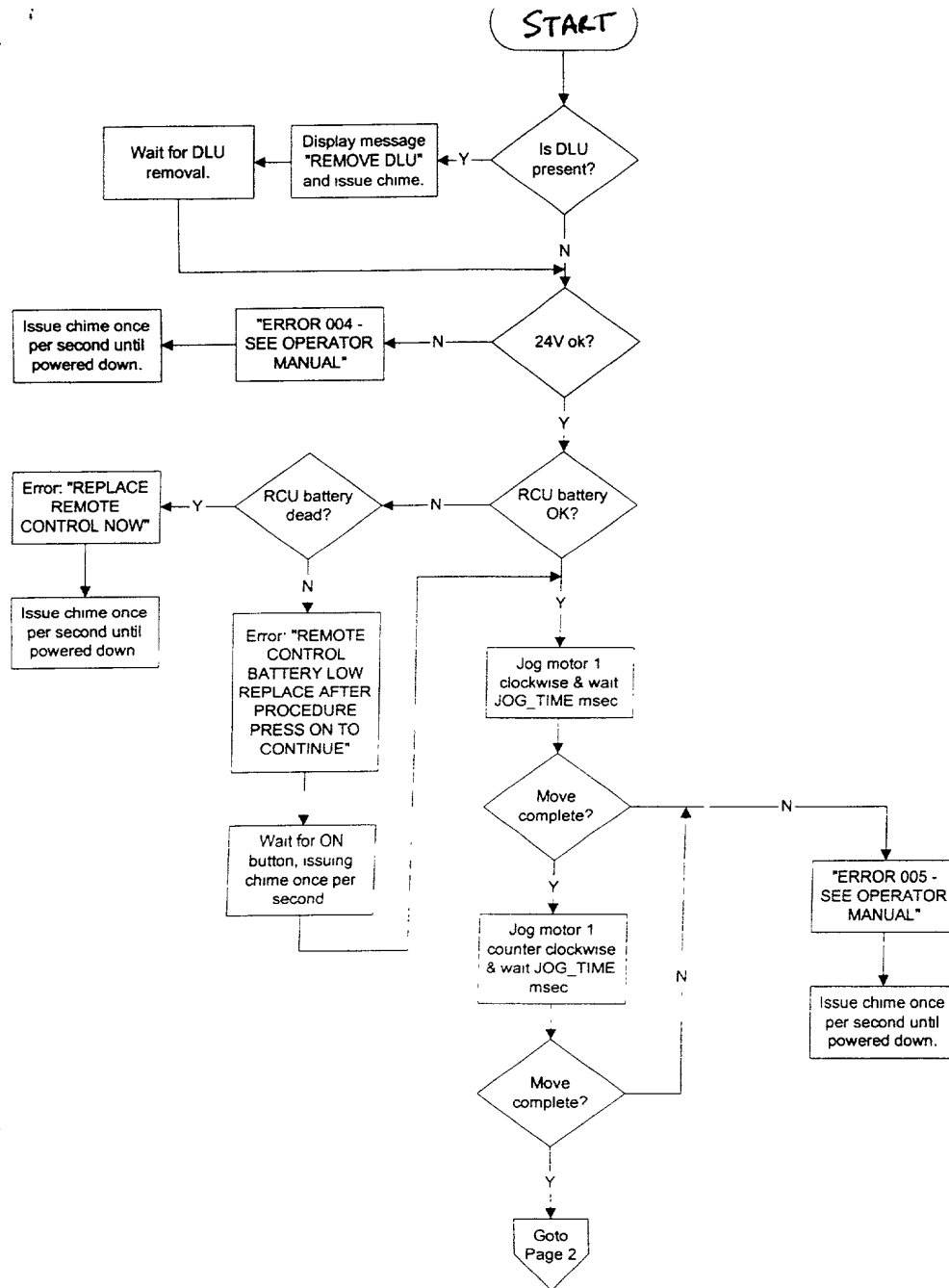


FIG. 18a

05536361 000000

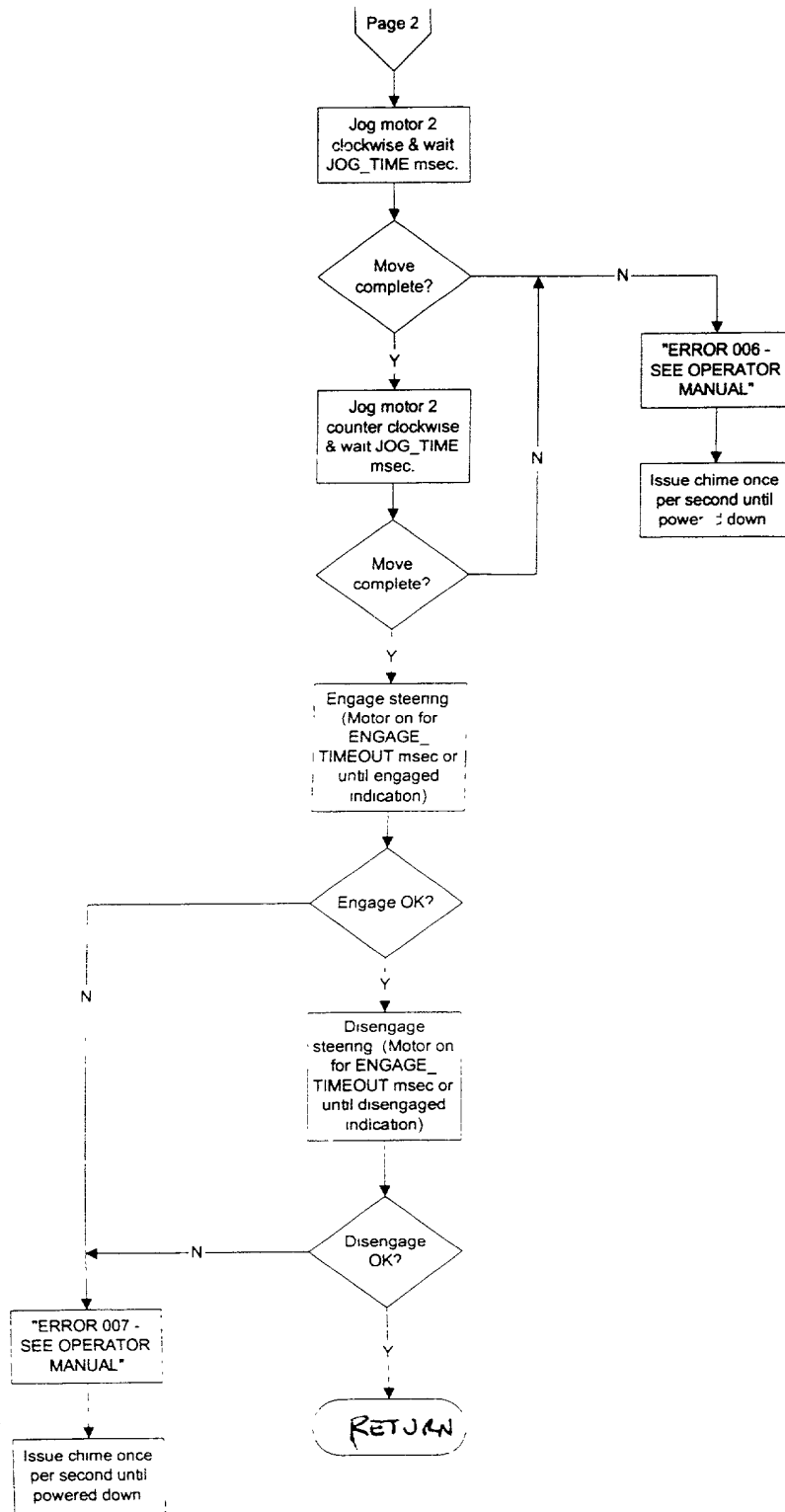


FIG. 184

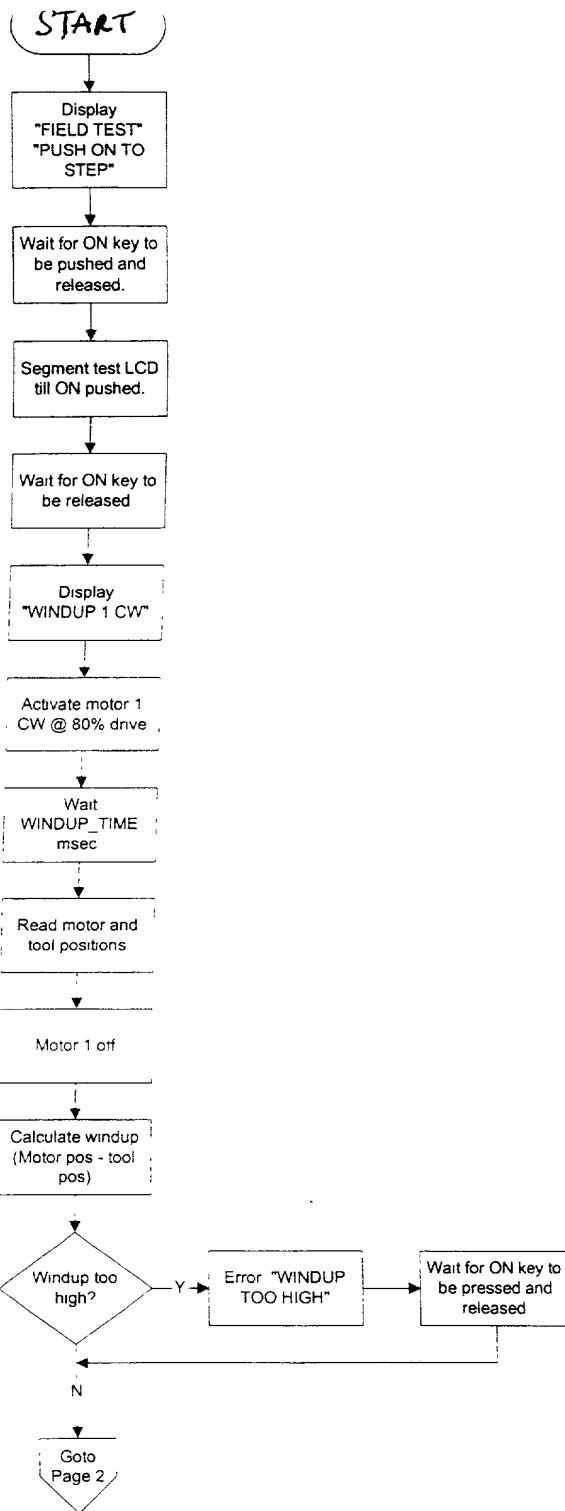


FIG. 19a

US 2002/0106301 A1

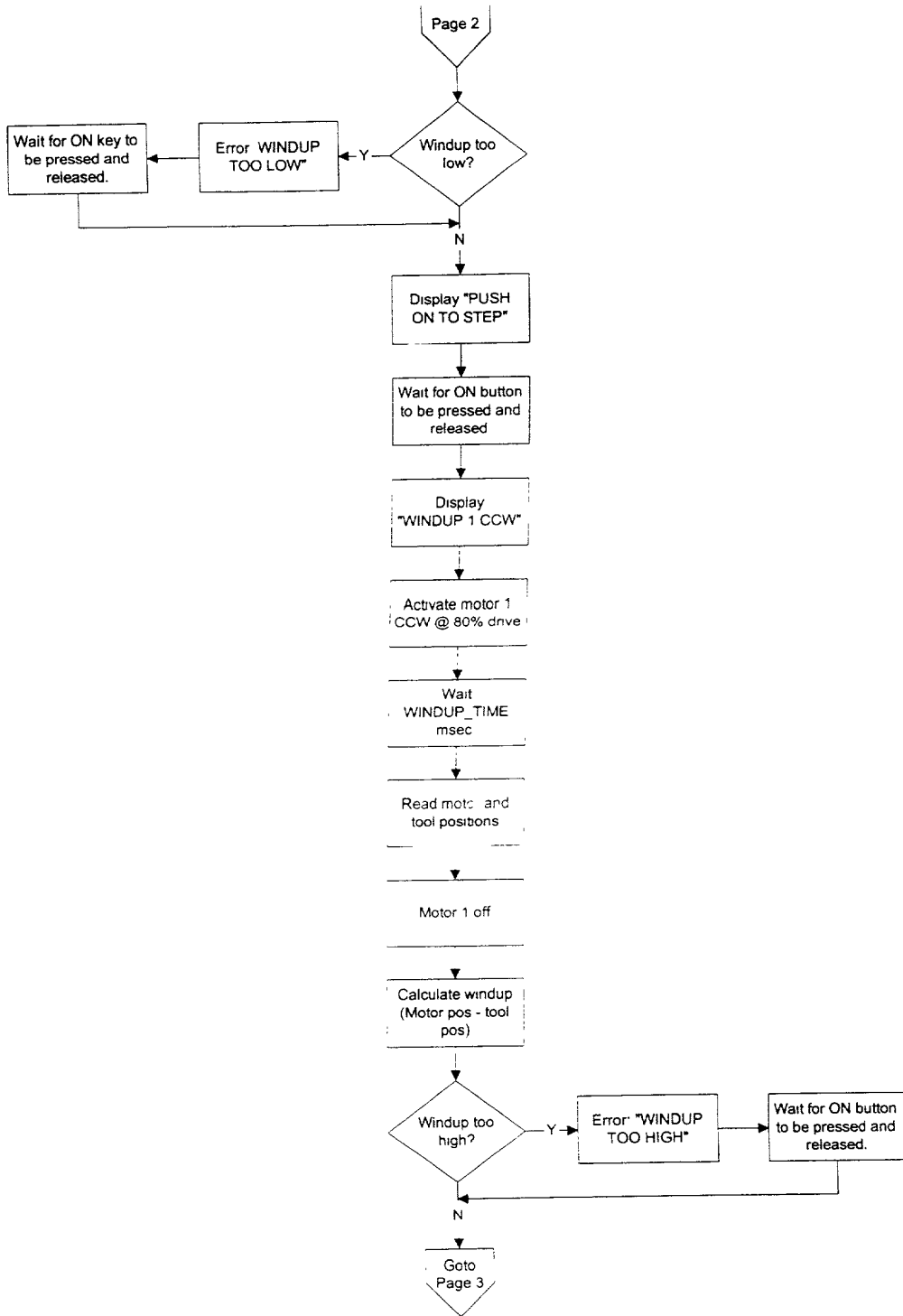
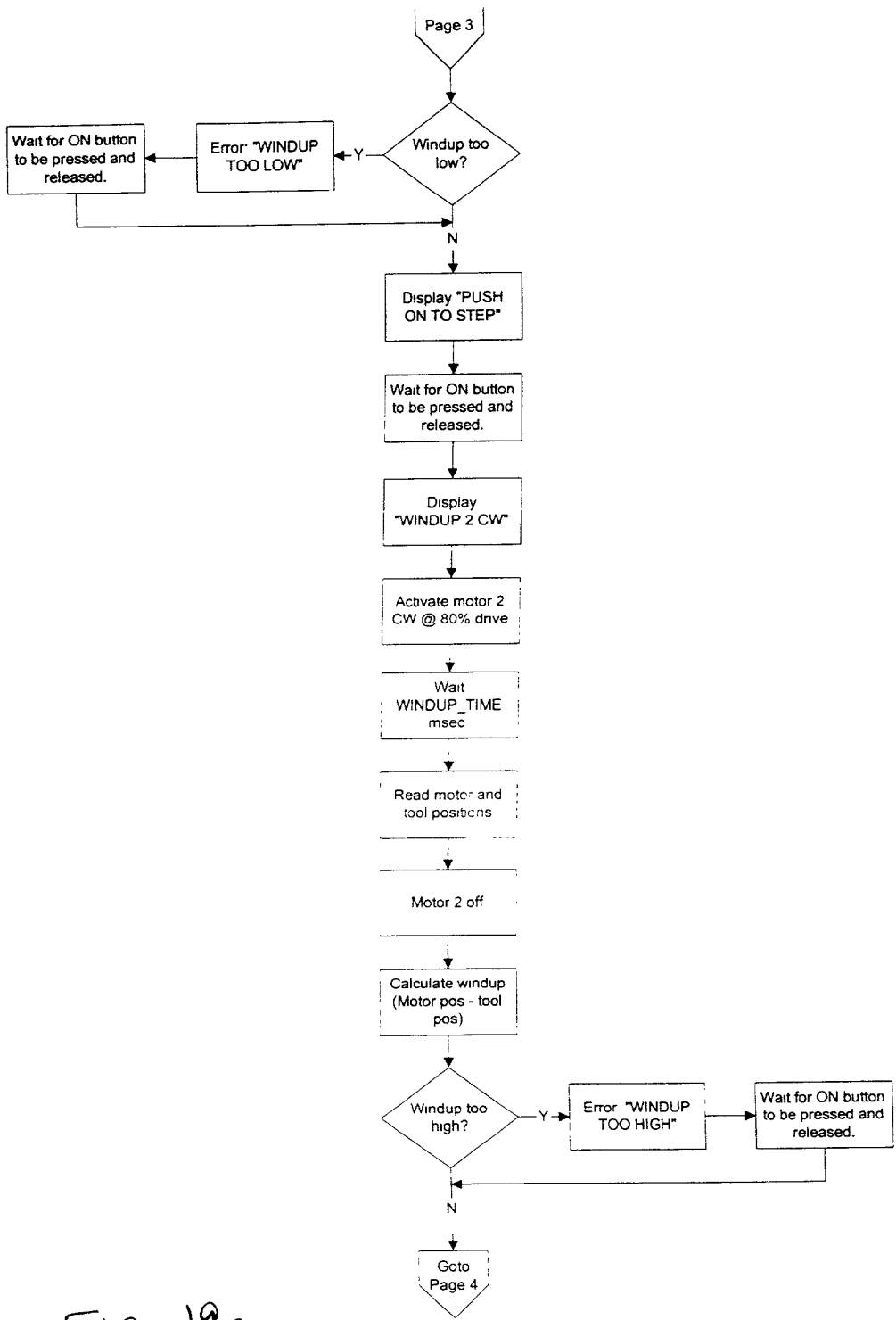


FIG. 196



00000000000000000000000000000000

FIG. 19c

Downloaded from www.industrydocuments.ucsf.edu/docs/9k9d

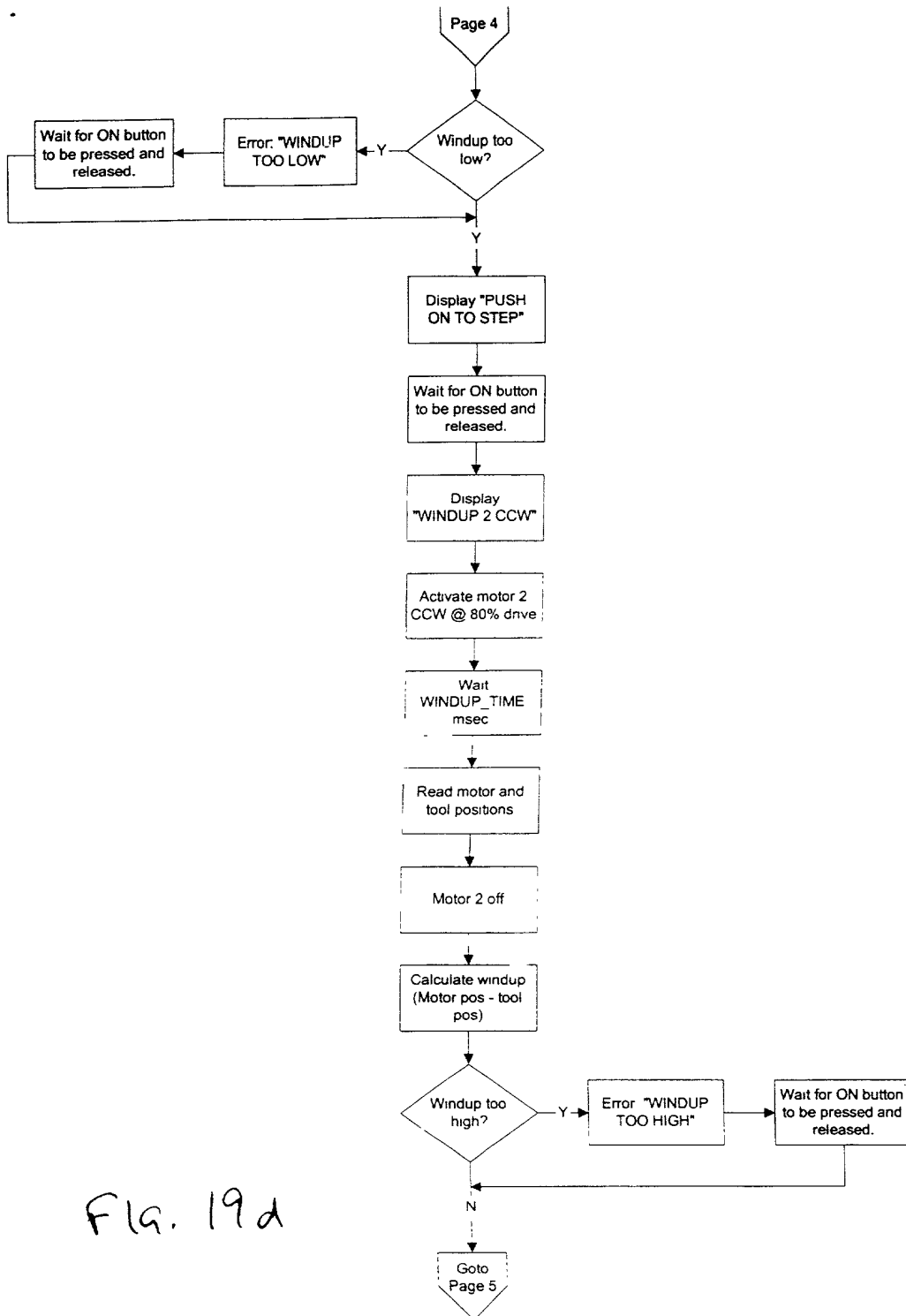


Fig. 19d













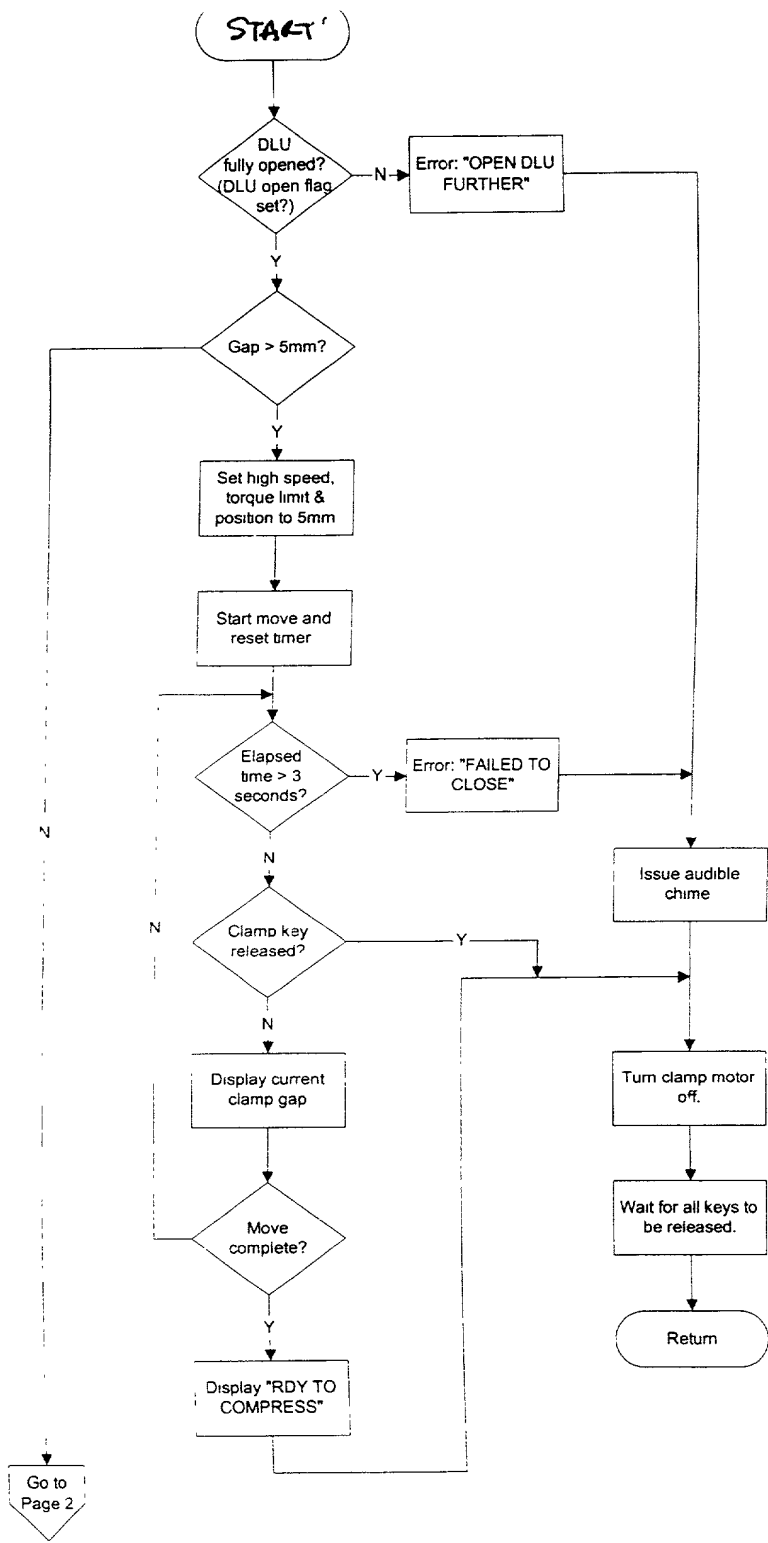








REVISED 10/20/88



Flu. 22a

FOR "000000"

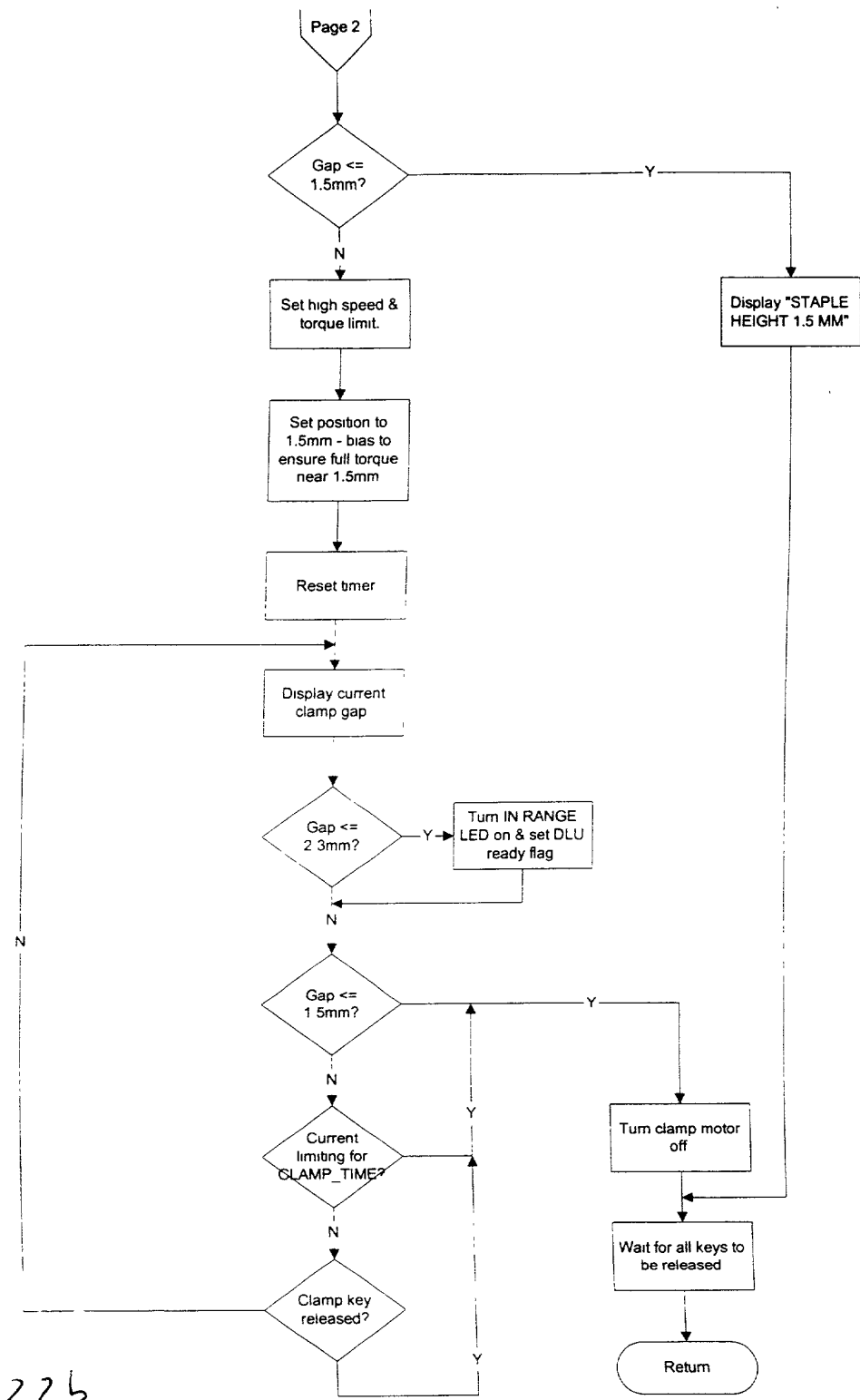


FIG. 22b

(START)

\*The kernel tries 3x w/ 100mS time between tries to write DLU.

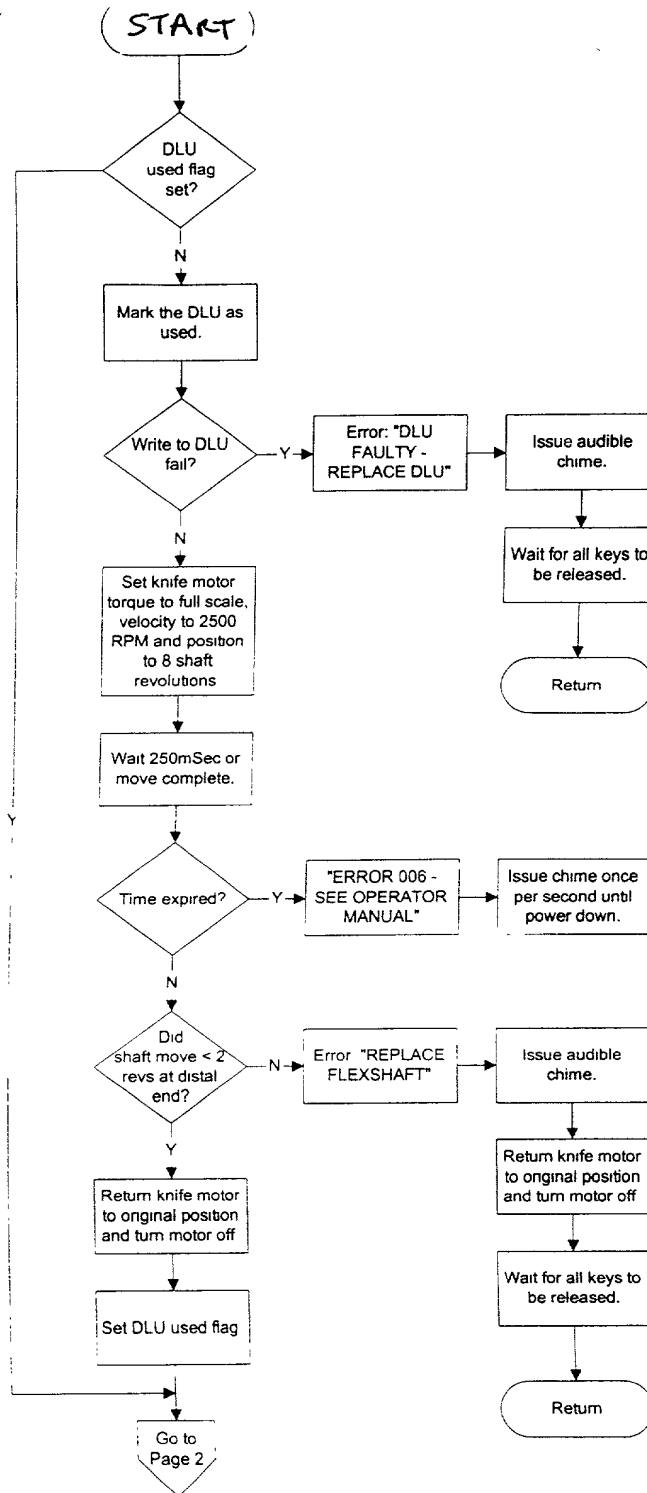


FIG. 23a

Downloaded by [unclear]

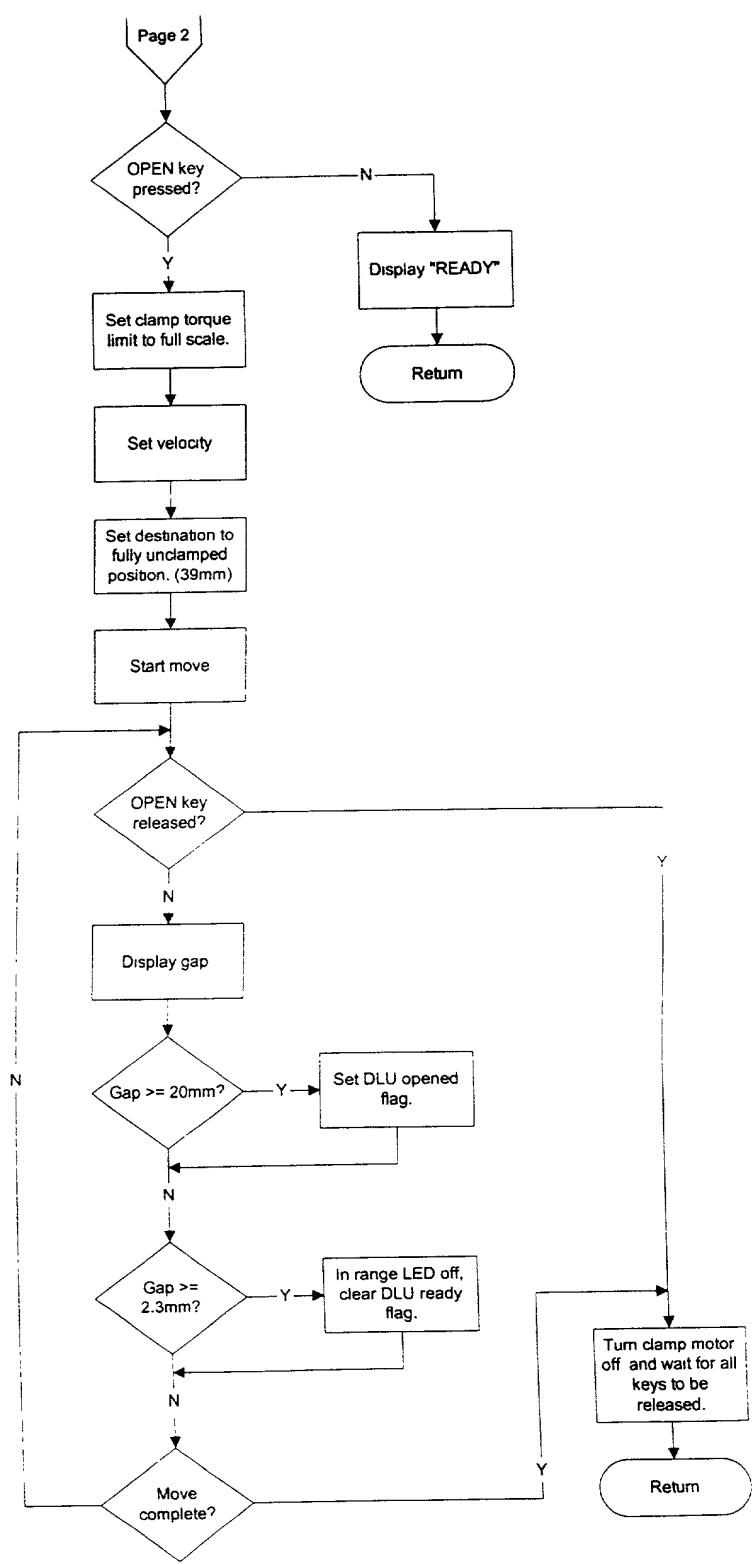


FIG. 23b